



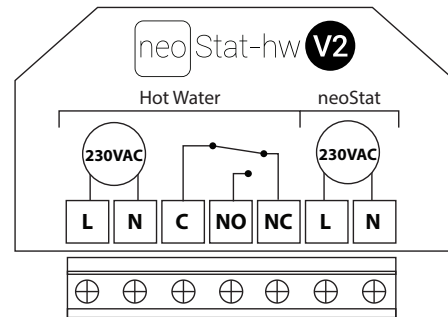
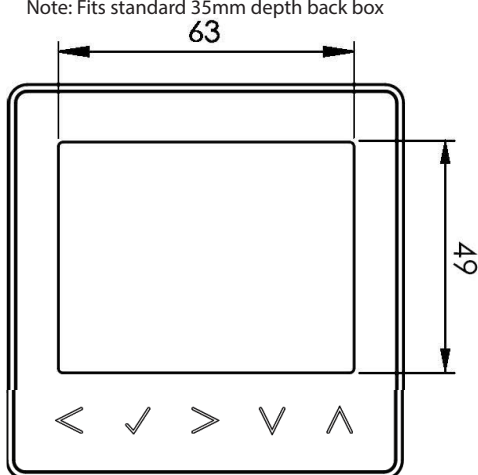
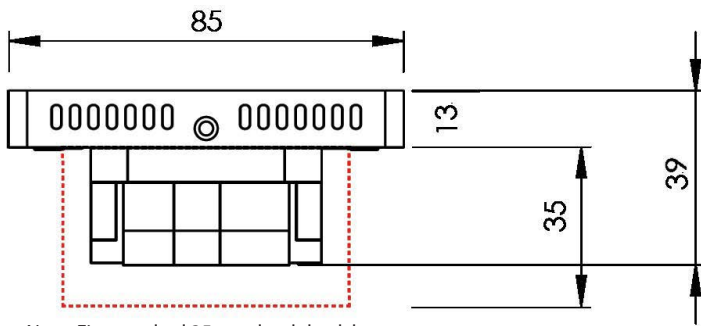
Temperature Range	N/A
White Back Lit Screen	Y
Non-Programmable Mode	N
5/2 Day Programming Mode	Y
7 Day Programming Mode	Y
24 Hour Programming Mode	Y
Number of Heating Levels	N/A
Optimum Start	N
Number of Switching Times (Timer mode)	4
Holiday Function	Y
Keylock Function	Y
Temperature Hold Function	N
Temperature Override Temperature	N
Override Limit	N
Output Delay	N

Frost Protection (7°C - 17°C)	N
Mesh Networking Facility	Y
°C / °F Option	N
Built In Air Sensor	N
Remote Air Sensing Mode	N
Floor Sensing Mode	N
Remote Probe Included	N
Floor Temp Limit Protection	N
Approach Sensor	Y
Max Switching Current	3A
Accuracy +/-	N/A
Adjustable Switching Differential	N/A
Supply	230V AC
Installed Dimensions	85x85x13mm (L,H,D)
Weight	140g

Feature Table - Timer Mode

01	Pairing	Used to pair to the neoHub
02	Program Mode	01 = Weekday/Weekend (Default), 02 = 7 Day Programming, 03 = 24 Hour Mode

Product Dimensions (mm) & Wiring Specification



Wiring Detail

