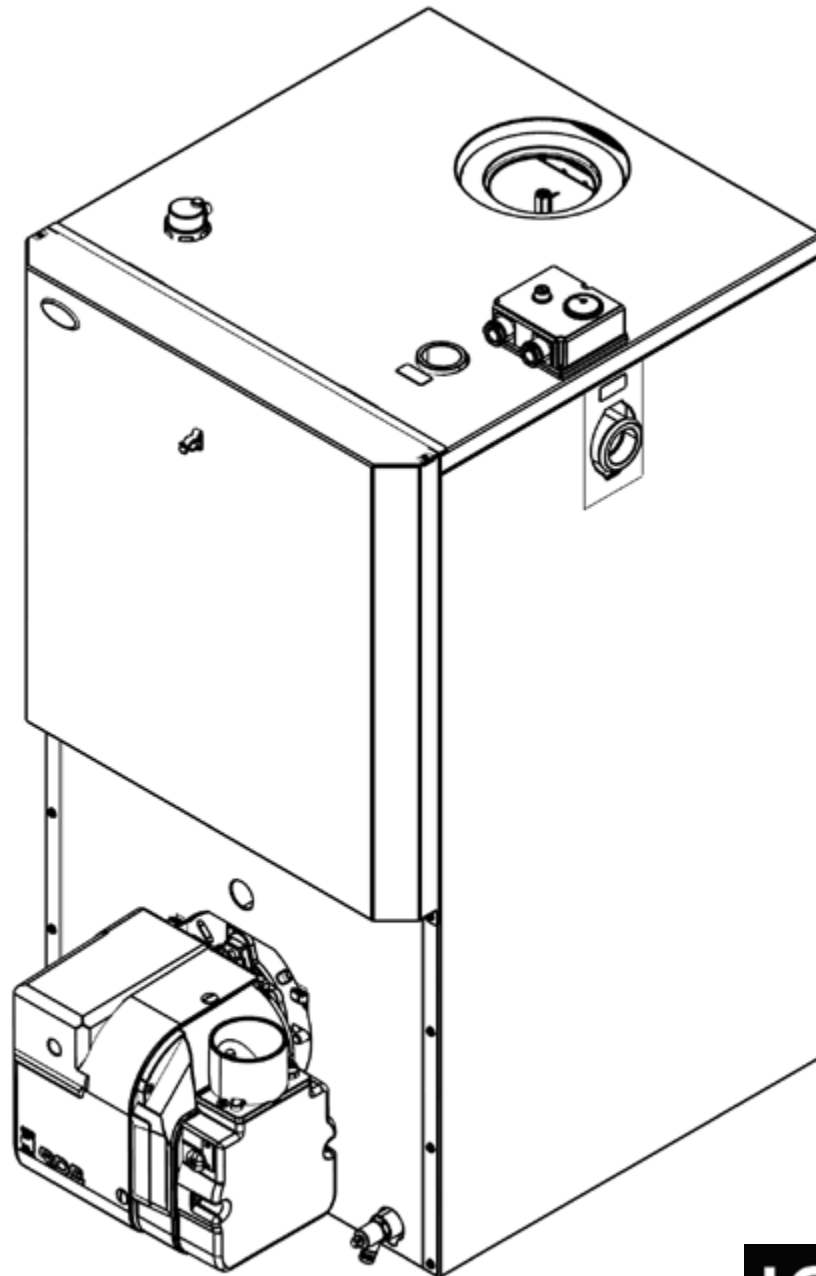


Grant Vortex

Boilerhouse

Condensing Oil Boiler Range

Installation and Servicing Instructions



LOW NO_x
READY



IMPORTANT NOTE FOR INSTALLERS

These instructions are intended to guide installers on the installation, commissioning and servicing of the Grant Vortex oil boiler. After installing the boiler, leave these instructions with the user.

A user handbook is available to guide users in the operation of the oil boiler.

SPECIAL TEXT FORMATS

The following special text formats are used in these instructions for the purposes listed below:

! WARNING !

Warning of possible human injury as a consequence of not following the instructions in the warning.

! CAUTION !

Caution concerning likely damage to equipment or tools as a consequence of not following the instructions in the caution.

! NOTE !

Used for emphasis or information not directly concerned with the surrounding text but of importance to the reader.

PRODUCT CODES AND SERIAL NUMBERS COVERED

The serial numbers used on Grant oil boilers consist of a fifteen digit numerical code with the final three digits being the product identifier.

For example:

100000200218777

These instructions cover the following product codes and serial numbers:

Product code	Serial number identifier
VTXBH1521	777
VTXBH2126	778
VTXBH2635	779
VTXBH3646	780
VTXBH4658	738
VTXBH5870	739



GRANT ENGINEERING (UK) LIMITED

Hopton House, Hopton Industrial Estate, Devizes, Wiltshire, SN10 2EU

Tel: +44 (0)1380 736920 Fax: +44 (0)1380 736991

Email: info@grantuk.com www.grantuk.com

This manual is accurate at the date of printing but will be superseded and should be disregarded if specifications and/or appearances are changed in the interests of continued product improvement. However, no responsibility of any kind for any injury, death, loss, damage or delay however caused resulting from the use of this manual can be accepted by Grant Engineering (UK) Limited, the author or others involved in its publication.

All goods sold are subject to our official Conditions of Sale, a copy of which may be obtained on application.

© Grant Engineering (UK) Limited. No part of this manual may be reproduced by any means without prior written consent.

SERVICING

The boiler should be serviced at least every twelve months and the details entered in the Service Log in the user handbook.

FUEL TYPE

All Grant Vortex boilers are suitable for use with Class C2 Kerosene.

The use of Class D Gas Oil on all Grant Vortex Low NOx and Blue Flame boilers DOES NOT comply with ErP requirements or EU regulations, and as a result Grant UK does not condone its use.

To use Bio-Kerosene (B30K), refer to the information below:

OPERATION ON BIO-FUEL

All Grant Vortex condensing boilers manufactured since May 2011 are suitable for operation on both standard Kerosene (Class C2 to BS 2869) and also bio-kerosene - up to a 30% blend (B30K).

All burner settings and nozzle sizes (as detailed in Section 2.2 of these instructions) are correct for both standard kerosene and bio-kerosene (B30K).

In order to operate this boiler on bio-kerosene, it will be necessary to take the following actions:

- Use a bio-kerosene (B30K) compatible flexible oil line in place of the oil line supplied with the boiler.
- Have the oil storage tank and oil supply line (including all pipework, sight gauges, filters, isolating valves, fire valves, de-aeration devices, etc.) checked for their compatibility with bio-kerosene (B30K).

Where necessary, some or all of these items may have to be replaced with a bio-kerosene compatible alternative.

- Check the suitability of the flue system with Grant UK.
- Use only bio-kerosene (B30K) that conforms to OPS24.

IMPORTANT:

Under no circumstances, should the boiler be used with bio-kerosene without the above actions being taken first.

! NOTE !

This appliance can be used by children aged from 8 years and above and persons with reduced physical, sensory or mental capabilities or lack of experience and knowledge if they have been given supervision or instruction concerning use of the appliance in a safe way and understand the hazards involved.

Children shall not play with the appliance.

Cleaning and user maintenance shall not be made by children without supervision.

CONTENTS

1	INTRODUCTION	4	9	FLUE SYSTEM AND AIR SUPPLY	26
	1.1 How a condensing boiler operates	4		9.1 Air supply	26
	1.2 Boiler description	4		9.2 Conventional flue systems	26
	1.3 Flue options	4		9.3 Connecting a conventional flue	29
	1.4 Boiler components	5		9.4 Balanced flue systems	29
				9.5 Prepare the wall	33
				9.6 Flue clearances	34
2	TECHNICAL DATA	6	10	COMMISSIONING	36
	2.1 Boiler technical data	6		10.1 Before switching on	36
	2.2 Burner settings	7		10.2 Burner Settings: RDB 2.2 BX Burners	37
	2.3 Flue gas analysis	7		10.3 Burner Settings: RDB 3.2 Burners	38
	2.4 Water connections	7		10.4 Air adjuster disc: 15/21 and 21/26 models only	39
	2.5 Boiler dimensions	8		10.5 Switching on	40
3	OIL STORAGE AND SUPPLY SYSTEM	10		10.6 Running the boiler	40
	3.1 Fuel supply	10		10.7 Balancing the system	40
	3.2 Burner oil connection	12		10.8 Completion	41
	3.3 Fitting the burner	13		10.9 Information for the user	41
4	INSTALLATION	14	11	SERVICING	42
	4.1 Introduction	14		11.1 Checks before servicing	42
	4.2 Boiler location	14		11.2 Dismantling prior to servicing	42
	4.3 Regulations compliance	14		11.3 Cleaning the boiler	42
	4.4 Heating system design considerations	14		11.4 Cleaning the burner: RDB 2.2 BX Burners only	44
	4.5 Pipework materials	15		11.5 Cleaning the burner: RDB 3.2 Burners only	45
	4.6 Connections	15		11.6 Cleaning the burner: All models	45
	4.7 Preparation for installation	15		11.7 Air adjuster disc: 15/21 and 21/26 models only	45
	4.8 Installing the boiler	15		11.8 Recommissioning	45
	4.9 Filling the heating system	16		11.9 Burner Components	46
	4.10 Before you commission	16	12	FAULT FINDING	48
	4.11 Completion	16		12.1 Boiler fault finding	48
5	PIPE CONNECTIONS	17		12.2 Burner fault finding - Riello RDB burners	49
	5.1 General	17	13	SPARE PARTS	50
	5.2 15/21, 21/26 and 26/35 models	17		13.1 Boiler parts list	50
	5.3 36/46 model only	17		13.2 Riello RDB 2.2 BX Burners (15/21, 21/26, 26/35 & 36/46 models)	51
	5.4 46/58 and 58/70 models	18		13.3 Riello RDB 3.2 Burners (46/58 & 58/70 models)	54
	5.5 Fitting the dual thermostat	18	14	DECLARATION OF CONFORMITY	56
6	CONDENSATE DISPOSAL	19	15	HEALTH AND SAFETY INFORMATION	57
	6.1 General requirements	19		15.1 Insulation materials	57
	6.2 Connections	19		15.2 Sealant and adhesive	57
	6.3 Pipework	19		15.3 Kerosene and Gas Oil fuels	57
	6.4 External pipework	19	16	END OF LIFE INFORMATION	58
	6.5 Condensate soakaway	20	17	PRODUCT FICHE	59
	6.6 Condensate trap	20	18	GUARANTEE	60
	6.7 Condensate disposal pipework	20			
	6.8 Inspection and cleaning of trap	20			
7	SEALED SYSTEMS	21			
	7.1 Sealed system requirements	21			
	7.2 Filling the sealed system	22			
	7.3 Venting the pump	22			
	7.4 Pressure relief (safety) valve operation	22			
8	ELECTRICAL	23			
	8.1 General	23			
	8.2 Connecting the power supply	23			
	8.3 Frost protection	24			
	8.4 Wiring diagrams	24			

1 INTRODUCTION

1.1 HOW A CONDENSING BOILER OPERATES

During the combustion process, hydrogen and oxygen combine to produce heat and water vapour. The water vapour produced is in the form of superheated steam in the heat exchanger. This superheated steam contains sensible heat (available heat) and latent heat (heat locked up in the flue gas). A conventional boiler cannot recover any of the latent heat and this energy is lost to the atmosphere through the flue.

The Grant Vortex condensing boiler contains an extra heat exchanger which is designed to recover the latent heat normally lost by a conventional boiler. It does this by cooling the flue gases to below 90°C, thus extracting more sensible heat and some of the latent heat. This is achieved by cooling the flue gases to their dew point (approximately 55°C).

To ensure maximum efficiency, the boiler return temperature should be 55°C or less, this will enable the latent heat to be condensed out of the flue gases.

- The boiler will achieve net thermal efficiencies of 100%.

To achieve maximum performance from the Grant Vortex boiler, it is recommended that the heating system is designed so that a temperature differential of 20°C between the flow and return is maintained.

The Grant Vortex boiler will however still operate at extremely high efficiencies even when it is not in condensing mode and therefore is suitable for fitting to an existing heating system without alteration to the radiator sizes. The boiler is capable of a maximum flow temperature of 75°C.

1.2 BOILER DESCRIPTION

The Grant Vortex Boiler House range of automatic pressure jet oil boilers have been designed for use with a fully pumped central heating system with indirect domestic hot water cylinder.

They are not suitable for use with either a direct cylinder or a 'primatic' cylinder or gravity hot water.

The boilers are suitable for use on open vented or sealed central heating systems. Refer to Section 7.

The boilers are supplied with a separate burner and dual thermostat (15/21, 21/26, 26/35 and 36/46 models only).

The dual thermostat is supplied factory fitted on the 46/58, 58/70 models.

All the models in the current Grant Vortex range of boilers are designed to comply with the maximum NOx emissions* under the Energy-related Products Directive (ErP).

* From the 26th September 2018, the maximum NOx emissions for all new oil fired boilers (up to and including 400kW for both new build and replacement boiler installations) is 120mg/kWh.

1.3 FLUE OPTIONS

The boilers can be connected to either a conventional flue system or a balanced flue system, as required.

1.3.1 FOR CONVENTIONAL FLUE APPLICATIONS

Where a chimney is to be lined - Grant recommends the use of the Grant 'Orange' flue system, specifically designed for the Vortex range of condensing boilers. Refer to Section 9.2 for further details.

Where a rigid conventional flue is required, Grant recommends the use of the Grant 'Hybrid' flue system, which uses components from the Grant 'Orange' and 'Green' flue systems. Refer to Figure 9-4 for details. This flue system is suitable for all Grant oil boilers up to and including the Vortex 58/70.

The 'Orange' system flue components used for the internal part of the Hybrid system (extensions and elbows) are from the smaller 100mm size range (e.g. WE45/100 elbow, WX450/100 450mm extension, etc.) – refer to Table 9-3.

The 'Green' system twin wall flue components used for the external part of the Hybrid system are from the larger '200' size range (e.g. GTV/200B terminal, GX950/200B 950mm extension, etc.) that have a 100mm internal flue diameter – refer to Table 9-5.

The Grant flue adaptor kit (Grant product code: CFA15/70) will also be required as this contains:

- a) the flue adaptor required to connect the 'Orange' system flue components to the boiler flue outlet (no flue adaptor is supplied with the boiler).
- b) the adaptor to connect the single wall 'Orange' system flue to the twin wall 'Green' system flue.

The maximum vertical height (from the top of the boiler to the terminal) of the 'Hybrid' Green/Orange flue system is 19 metres.

! NOTE !

The flue system materials and construction MUST be suitable for use with oil-fired condensing boilers. Failure to fit a suitable conventional flue may invalidate the guarantee on the boiler.

1.3.2 FOR BALANCED FLUE APPLICATIONS

The following flue kits are available from Grant UK. Refer to Section 9.4.

Yellow system

Standard low level concentric balanced flue - components available:

- Low level concentric balanced flue kit - short and standard lengths available
- Extensions 225 mm, 450 mm and 675 mm (internal use only)
- 90° extension elbow (internal use only)
- 45° extension elbow (internal use only)
- 45° elbow (internal use only)
- Plume diverter kits

Green system

Standard external high level/vertical flue starter kit (room sealed) - components available:

- External high level/vertical flue starter kit short (room sealed)
- Extensions 150 mm, 250 mm, 450 mm, 950 mm
- Adjustable extension 195 to 270 mm
- 45° elbow
- High level terminal
- Vertical terminal

White system

High level and vertical concentric balanced flue kit - components available:

- Extensions 225 mm, 450 mm, 950 mm
- Adjustable extension 275 to 450 mm
- Vertical concentric balanced flue kit
- 45° elbow

Red system (15/21 and 21/26 only)

A flexible vertical balanced flue system designed to be fitted inside an existing masonry chimney.

Consisting of three sections:

- Concentric white painted flue pipe connected to the boiler
- Vertical concentric flexible flue (flexible stainless steel flue liner inside a stainless steel air inlet liner)
- Terminal assembly for chimney top mounting

Flue extensions and 45° elbows from the White system may be used.

Fitting instructions for the Low level, High level and Vertical

balanced flue systems are supplied with the kits.

1.4 BOILER COMPONENTS

All burners are pre-set for use with kerosene and are supplied ready to connect to a single pipe fuel supply system with a loose flexible fuel line and 3/8" to 1/4" BSP male adaptor supplied with the boiler.

If required, an additional flexible fuel line (900 mm in length, product code: RBS36 or 600mm in length, product code: RBS36XS) and 3/8" to 1/4" BSP male adaptor (product code: Z3003602) are available to purchase from Grant UK, for two-pipe oil supply systems.

The temperature of the water leaving the boiler to heat the radiators and hot water cylinder is user adjustable.

The boiler is fitted with an overheat thermostat (which allows it to be used on a sealed central heating system) which will automatically switch off the boiler if the heat exchanger exceeds a pre-set temperature of $110^{\circ}\text{C} \pm 3^{\circ}\text{C}$.

The Boiler House dual thermostat, on top of the boiler, is fitted with a boiler thermostat control knob and the manual reset button for the overheat thermostat.

Figure 1-1 shows the components of the Vortex Boilerhouse boilers.

Figure 1-2 shows the dual thermostat supplied with the Vortex

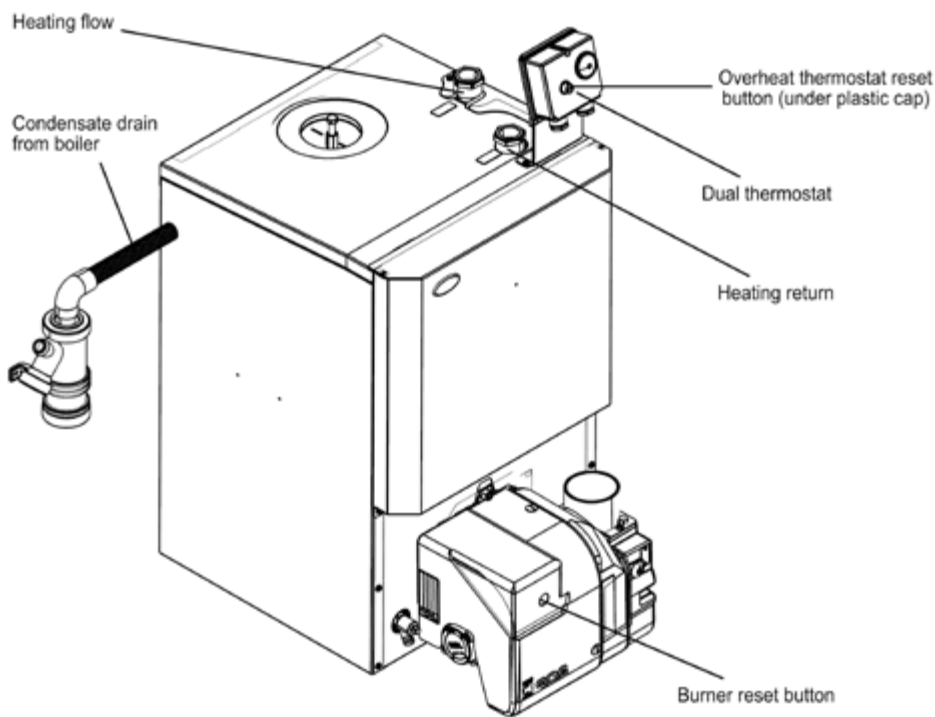


Figure 1-1: Boiler components (model shown: 26/35kW)

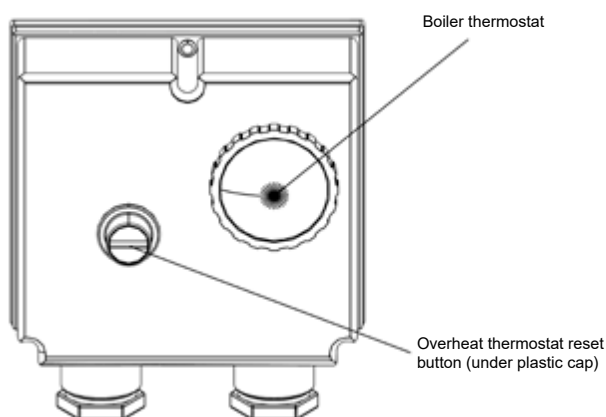


Figure 1-2: Dual thermostat

2 TECHNICAL DATA

2.1 BOILER TECHNICAL DATA

Table 2-1: Boiler technical data

	Boilerhouse						
	Units	15/21	21/26	26/35	36/46	46/58	58/70
Water content	litre	13	13	19	21	50	50
	gal	2.9	2.9	4.2	4.7	11	11
Weight (dry)*	kg	125	125	143	145	257	301
	lb	276	276	315	320	567	664
Maximum heat output (Kerosene)	kW	21.5	26.3	35.4	46.0	58.0	70.0
	Btu/h	73,400	89,800	120,000	157,000	197,900	238,800
Minimum flow rate ($\Delta T=10^{\circ}\text{C}$)	l/h	1,780	2,200	2,980	4,000	5,200	6,000
Minimum flow rate ($\Delta T=20^{\circ}\text{C}$)	l/h	890	1,100	1,490	2,000	2,600	3,000
Condensate connection		22 mm (only connection plastic pipe)					
Flue diameter (conventional)		100 mm	100 mm	100 mm	100 mm	125 mm**	125 mm**
Waterside resistance $\Delta T=10^{\circ}\text{C}$	mbar	28.5			26.0		
Waterside resistance $\Delta T=20^{\circ}\text{C}$	mbar	10			9.5		
Maximum static head	m	28					
Minimum circulating head	m	1					
Boiler thermostat range	$^{\circ}\text{C}$	50 to 75					
Limit (safety) thermostat shut off temperature	$^{\circ}\text{C}$	110 \pm 3					
Maximum hearth temperature	$^{\circ}\text{C}$	Less than 50					
Electricity supply		~230 1ph 50Hz 5A fused					
Burner motor power	Watts	90				150	
Absorbed motor power	kW	0.15					
Starting current	Amps	4.2				6.4	
Running current	Amps	0.85				1.2	
Oil connection		1/4" BSP male (on end of flexible fuel hose)					
Conventional flue draught	mbar	Minimum: 0.087 - Maximum: 0.37					
	in wg	Minimum: 0.035 - Maximum: 0.15					
Maximum operating pressure - sealed/open system	bar	2.0					
Maximum operating pressure - pressure relief valve	bar	3.0					
Boiler type		ON/OFF					

* Weight includes burner but excludes flue

** 125 mm diameter required for flexible flue liner (orange system). For rigid flue systems, e.g. green system, 100 mm diameter flue required. Refer to Section 9 for further details.

2.2 BURNER SETTINGS

Table 2-2: Burner settings

Boiler models (burner type)	Heat output		Nozzle	Oil pressure (bar)	Smoke No.	Burner head type	Burner head/ air disc setting	Distance D ¹⁰ (mm)	Fuel flow rate (kg/h)	Flue gas temp. (°C)	CO ₂ (%)	Flue gas VFR ‡ (m ³ /hr)
	(kW)	(Btu/h)										
Boilerhouse 15/21 (Riello RDB2.2 BX E15/21)	15.0	51,200	0.45/80°EH	7.5	0 - 1	BX 500	Disc: B	11	1.28	70 - 75	12.5	16.0
	18.0	61,400	0.55/60°ES	7.0	0 - 1	BX 500	Disc: C	11.5	1.53	75 - 80	12.5	20.0
	21.0 *	71,700	0.60/60°ES	8.0	0 - 1	BX 500	Disc: C	13	1.79	80 - 85	12.5	23.0
Boilerhouse 21/26 (Riello RDB2.2 BX E21/26)	21.0	71,700	0.60/60°ES	8.0	0 - 1	BX500	Disc: C	13	1.81	85 - 90	12.5	23.0
	23.5 *	80,200	0.65/60°ES	10.0	0 - 1	BX 500	Disc: C	13	2.02	85 - 90	12.5	26.0
	26.0	88,700	0.75/60°ES	8.5	0 - 1	BX 500	N/A	15	2.24	90 - 95	12.5	28.5
Boilerhouse 26/35 (Riello RDB2.2 BX V26/36)	26.0	88,700	0.75/60°ES	8.5	0 - 1	BX 700	N/A	15	2.24	75 - 80	12.5	28.5
	31.0 *	105,800	0.85/60°ES	9.0	0 - 1	BX 700	N/A	16	2.67	85 - 90	12.5	34.5
	35.0	119,400	1.00/60°ES	8.5	0 - 1	BX 700	N/A	17.5	3.02	90 - 95	12.5	39.0
Boilerhouse 36/46 (Riello RDB2.2 BX V36/46)	36.0	122,800	1.00/60°ES	9.0	0 - 1	BX 700	N/A	17.5	3.09	75 - 80	12.5	39.5
	41.0 *	139,900	1.10/60°ES	10.0	0 - 1	BX 700	N/A	17.5	3.52	80 - 85	12.5	45.5
	46.0	157,000	1.25/60°S	8.0	0 - 1	BX 700	N/A	20	3.95	85 - 90	12.5	51.0
Boilerhouse 46/58 (Riello RDB3.2 VORT 58)	46.0	157,000	1.25/80°S	8.0	0 - 1	GIB	Head: 0	-	3.92	75 - 80	12.5	51.0
	52.0 *	177,400	1.35/80°S	9.5	0 - 1	GIB	Head: 0	-	4.43	75 - 80	12.5	58.5
	58.0	197,900	1.65/80°S	8.0	0 - 1	GIB	Head: 0	-	4.94	75 - 80	12.5	66.0
Boilerhouse 58/70 (Riello RDB3.2 VORT 70)	58.0	197,900	1.65/80°S	8.0	0 - 1	GIB	Head: 0	-	4.97	75 - 80	12.5	66.0
	64.0 *	218,400	1.65/80°S	9.5	0 - 1	GIB	Head: 0	-	5.49	75 - 80	12.5	72.5
	70.0	238,800	1.75/80°S	9.5	0 - 1	GIB	Head: 4	-	6.00	75 - 80	12.5	78.5

Notes:

‡ Flue gas VFR: Flue gas volumetric flow rate

1. The data given above is approximate only and is based on the boiler being used with a low level balanced flue.

2. The above settings may have to be adjusted on site for the correct operation of the burner.

3. Gas Oil is NOT suitable for use with Grant Vortex boiler range

4. The flue gas temperatures given above are ± 10%.

5. When commissioning, the air damper **must be** adjusted to obtain the correct CO₂ level.

6. * Factory settings: 15/21 - 21.0kW, 21/26 - 23.5kW, 26/35 - 31.0kW, 36/46 - 41.0kW, 46/58 - 52.0kW, 58/70 - 64.0kW

7. The combustion door test point may be used for CO₂ and smoke readings only. Do not use this test point for temperature or efficiency readings.

8. When setting the 15/21 to 15.0kW the burner air adjuster disc requires repositioning, and when setting the 21/26 to 26.0kW output, the air disc must be removed. Refer to Section 10.4 (Air Adjuster Disc).

When setting the 58/70 to 70.0kW the burner head requires repositioning. Refer to Section 10 (Commissioning).

9. The installer must amend the boiler data label if the output is changed.

10. Refer to Section 10.2 for information on how to set distance D (Figure 10-7).

2.3 FLUE GAS ANALYSIS

To allow the boiler to be commissioned and serviced, the boiler is supplied with a combustion test point on the front cleaning door.

When this test point is used please note the following:

- The test point is for CO₂ and smoke readings only.
- The boiler efficiency and temperature must be taken from the flue test point on high level, vertical and conventional flue adaptors.
- Concentric low level flues do not contain a test point. The temperature and efficiency readings must be taken from the flue terminal.

2.4 WATER CONNECTIONS

Table 2-3: Water connections

Boiler model	Flow connection			Return connection		
	Size	Fitting	Supplied	Size	Fitting	Supplied
15/21	1" BSP	BSP female	Fitted	1" BSP	BSP female	Fitted
21/26	1" BSP	BSP female	Fitted	1" BSP	BSP female	Fitted
26/35	1" BSP	BSP female	Fitted	1" BSP	BSP female	Fitted
36/46	28mm pipe*	Compression	In fittings kit*	1" BSP	BSP female	Fitted
46/58	1¼" BSP	BSP female	Fitted	1¼" BSP	BSP female	Fitted
58/70	1¼" BSP	BSP female	Fitted	1¼" BSP	BSP female	Fitted

* The pipe and compression fitting are placed under the blanking plate that covers the flow connection.

2.5 BOILER DIMENSIONS

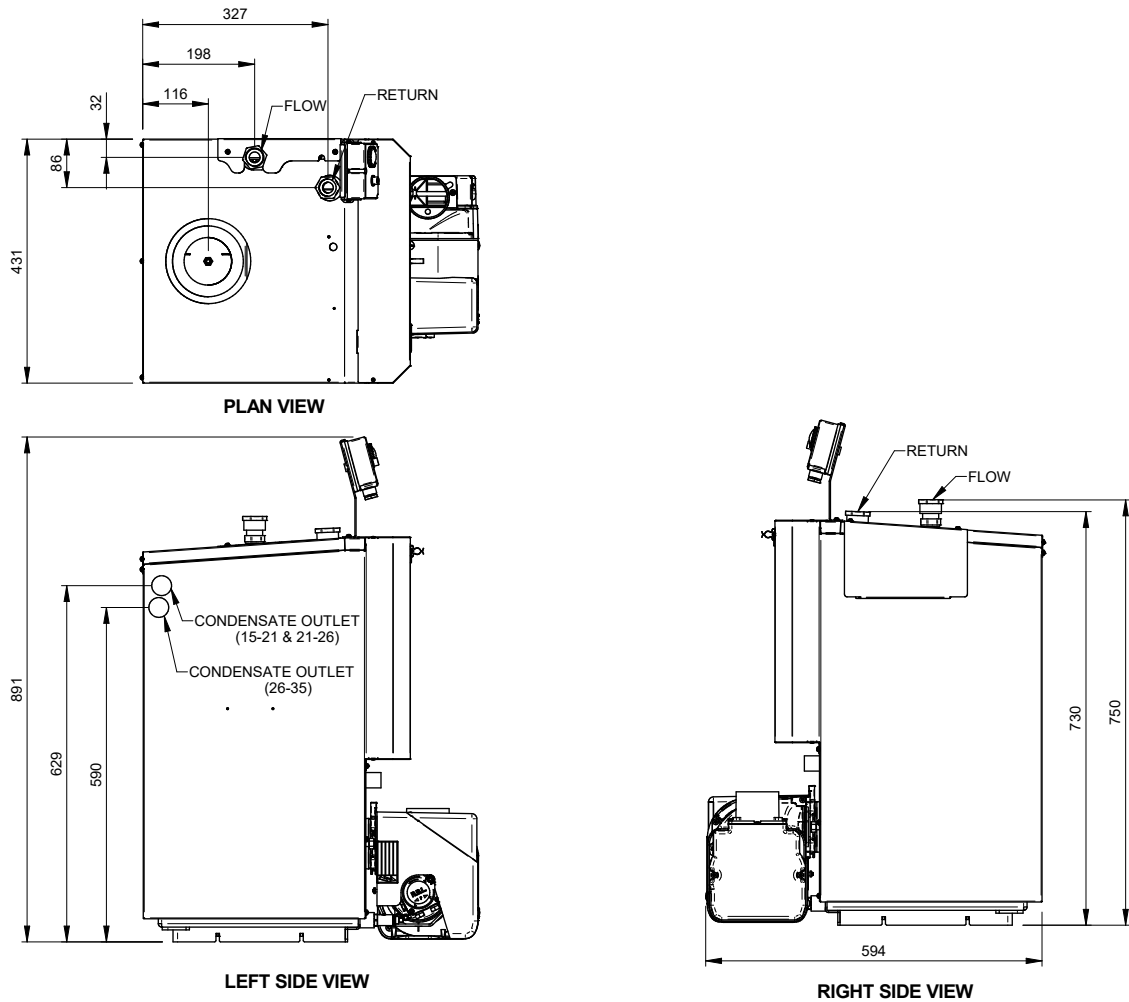


Figure 2-1: 15/21, 21/26 and 26/35 dimensions

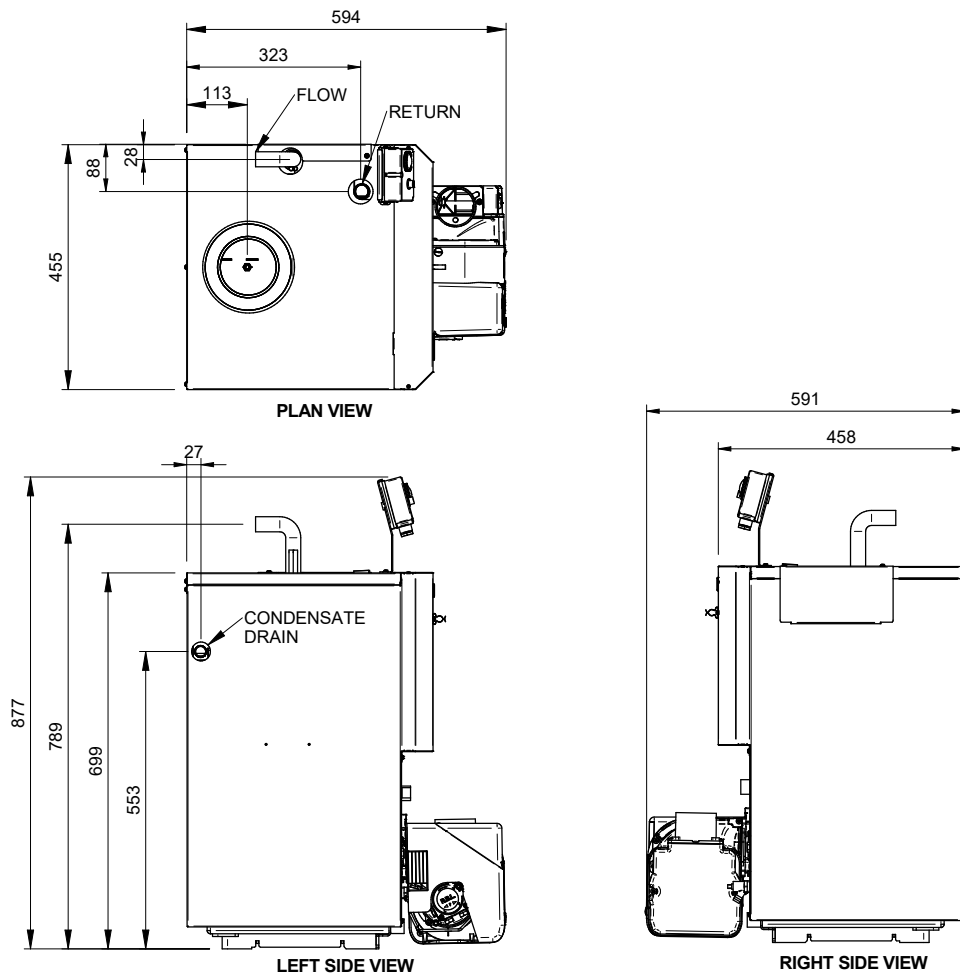


Figure 2-2: 36-46 dimensions

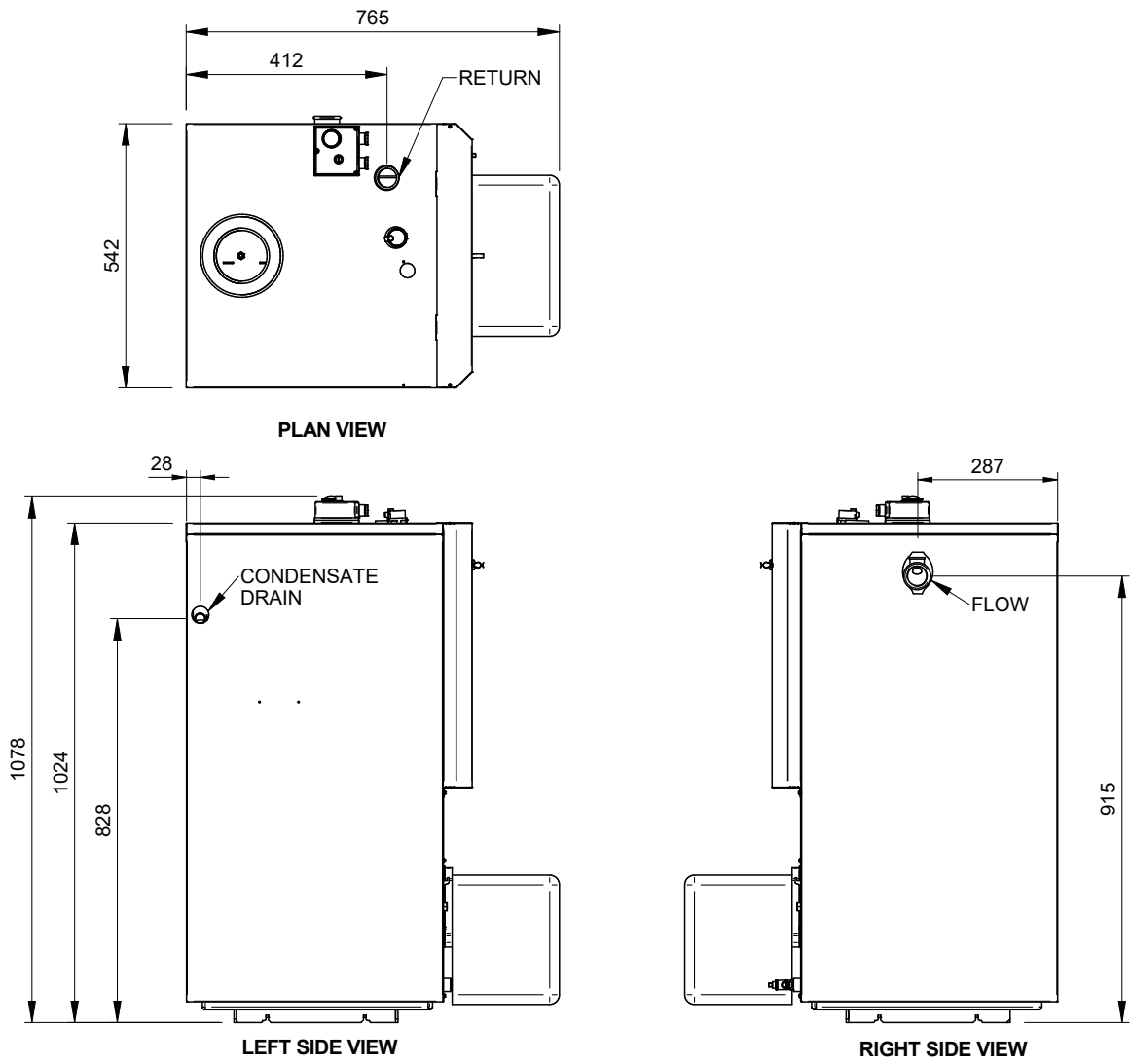


Figure 2-3: 46/58 and 58/70 dimensions

3 OIL STORAGE AND SUPPLY SYSTEM

3.1 FUEL SUPPLY

3.1.1 FUEL STORAGE

The tank should be positioned in accordance with the recommendations given in BS 5410-1 (Code of practice for liquid fuel firing. Installations for space heating and hot water supply purposes for domestic buildings). This gives details of the requirements for suitable oil tank construction, tank installation, tank bases, fire protection and secondary containment.

For installations of greater than 70kW output capacity, the tank should be installed accordance with BS 5410-2.

Oil storage tanks should comply with the following standards:

- Plastic tanks OFT T100
- Steel tanks OFT T200

! CAUTION !

A galvanised tank must not be used.

! NOTE !

Plastic tanks should be stood on a firm non-combustible base that adequately and uniformly supports the weight of the tank over its entire base area.

The tank capacity should be selected to suit the appliance rated output. Refer to BS5410-1 for guidance.

3.1.2 FUEL PIPES

Fuel supply pipes should be either copper or steel. Galvanised pipes or fittings should not be used.

Plastic oil supply pipe conforming to BS EN 14125 can be used for underground pipe runs, but must not be used above ground.

All soft copper pipe connections should preferably be made using flared fittings. If compression fittings are to be used, a suitable pipe insert must be fitted into the pipe end.

Soft soldered connections must NOT be used on oil supply pipework.

Fuel supply pipework should be of a suitable diameter, depending on the type of oil supply system being used. Refer to information given in sections 3.1.3, 3.1.4 or 3.1.5.

Run pipes as level as possible to prevent air being trapped. Take the most direct route possible from tank to burner whilst locating the pipe where it will be protected from damage.

Pipes should be supported to prevent sagging and sleeved where they pass through a wall.

A metal body fuel filter with a filtration size of no more than 50 µm (micron) must be fitted in the oil supply pipe close to the tank. This should be fitted with sufficient clearance around and below it to allow easy access for maintenance.

An isolating valve should also be fitted at the tank, before the filter, to allow the oil supply to be shut off for the filter to be serviced.

A second filter (15 µm for Kerosene) must be located closer to the burner to protect the burner pump and nozzle from contamination. Refer to Figures 3-1 to 3-3.

A remote sensing fire valve must be installed in the fuel supply line in accordance with BS5410-1.

A fusible wheelhead type combined isolating/fire valve MUST NOT be used in place of a remote sensing fire valve.

The fire valve must be located outside; just before the oil line enters the building, with the fire valve sensor located above the burner.

A spring clip for mounting the sensor is provided with the boiler. This should be fixed with the screw provided, using the small hole in the front panel of the boiler.

The fire valve should be located after the second (15 micron) filter, i.e. between the filter and the point at which the oil line enters the building. Refer to Figures 3-1 to 3-3.

The fire valve must have an operating temperature of between 65 and 72°C to avoid unnecessary nuisance shut-offs to the oil supply.

A flexible fuel hose and ¼" isolating valve are supplied loose with the boiler, to make the final connection to the burner.

If a two-pipe system or deaerator is to be used, the following additional items will be required:

- Flexible fuel hose ¾" male x ¼" female (product code: RBS36 - 900 mm / product code: RBS36XS - 600mm)
- ¾" x ¼" BSP adaptor (product code: Z3003602)
- ¼" isolating valve (product code: ISOLATION1/4)

These are available to purchase from Grant UK.

Metal braided flexible fuel hoses should be replaced ANNUALLY when the boiler is serviced.

Long life flexible fuel hoses should be inspected annually and replaced, if necessary, or after a maximum five years service life.

3.1.3 SINGLE PIPE (GRAVITY) SYSTEM - (REFER TO FIGURE 3-1)

Head A (m)	Maximum pipe run (m)	
	10 mm OD pipe	12 mm OD pipe
0.5	10	20
1.0	20	40
1.5	40	80
2.0	60	100

If the storage tank outlet is at least 300 mm above the level of the burner oil pump, a single pipe (gravity) system should be used.

The maximum height of the oil level above the burner oil pump when the tank is full, must not exceed four metres. If this height is exceeded, a pressure reducing valve must be fitted in the oil supply pipe between the tank and the burner oil pump.

The maximum length of pipe run from the tank to the burner is limited by the minimum head of oil (the height of the tank tank outlet above the burner oil pump).

3.1.4 TWO PIPE SYSTEM - (REFER TO FIGURE 3-2)

Head A (m)	Maximum pipe run (m)	
	10 mm OD pipe	12 mm OD pipe
0	35	100
0.5	30	100
1.0	25	100
1.5	20	90
2.0	15	70
3.0	8	30
3.5	6	20

If the storage tank outlet is below the level of the burner oil pump, a two pipe (sub gravity) system can be used.

The return pipe should be at the same level as the tank outlet, between 75 to 100 mm above the base of the tank. The return pipe should be a sufficient distance from the tank outlet so as to prevent any sediment disturbed by the return entering the supply pipe from the tank.

A non-return valve should be fitted in the supply pipe, along with a fire valve and filters (refer to section 3.1.2 - fuel pipes). A non-return valve should also be fitted in the return pipe if the top of the tank is above the burner oil pump.

The maximum suction height (from the tank outlet to the level of the burner oil pump), must not exceed 3.5 metres.

The pump vacuum should not exceed 0.4 bar. Beyond this limit, gas is released from the oil.

For guidance on the installation of top outlet fuel tanks and suction

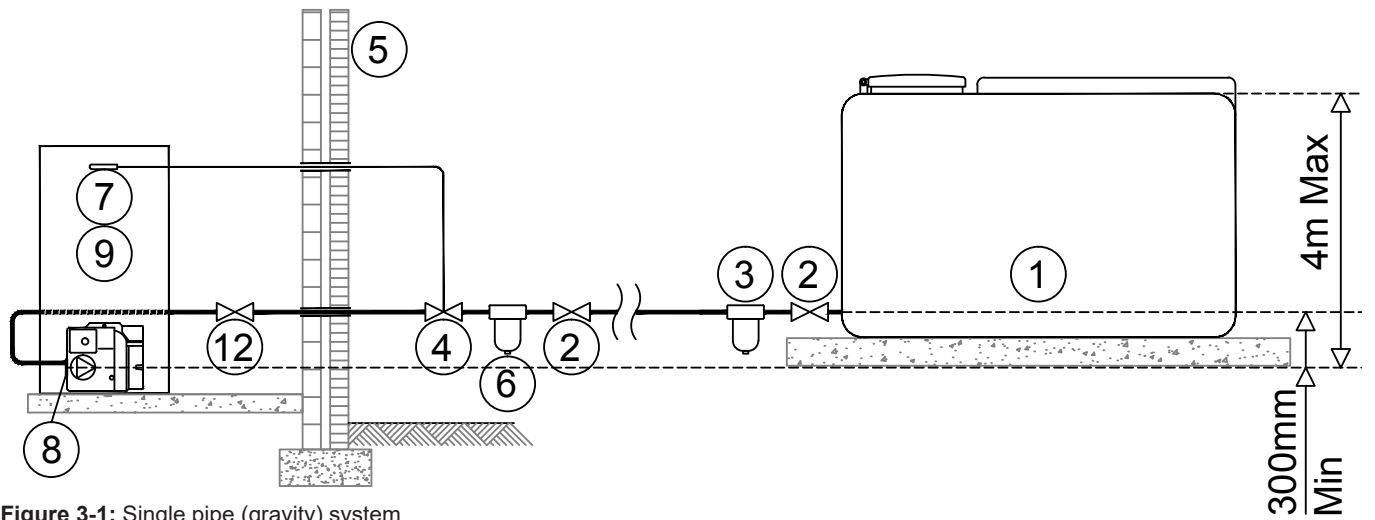


Figure 3-1: Single pipe (gravity) system

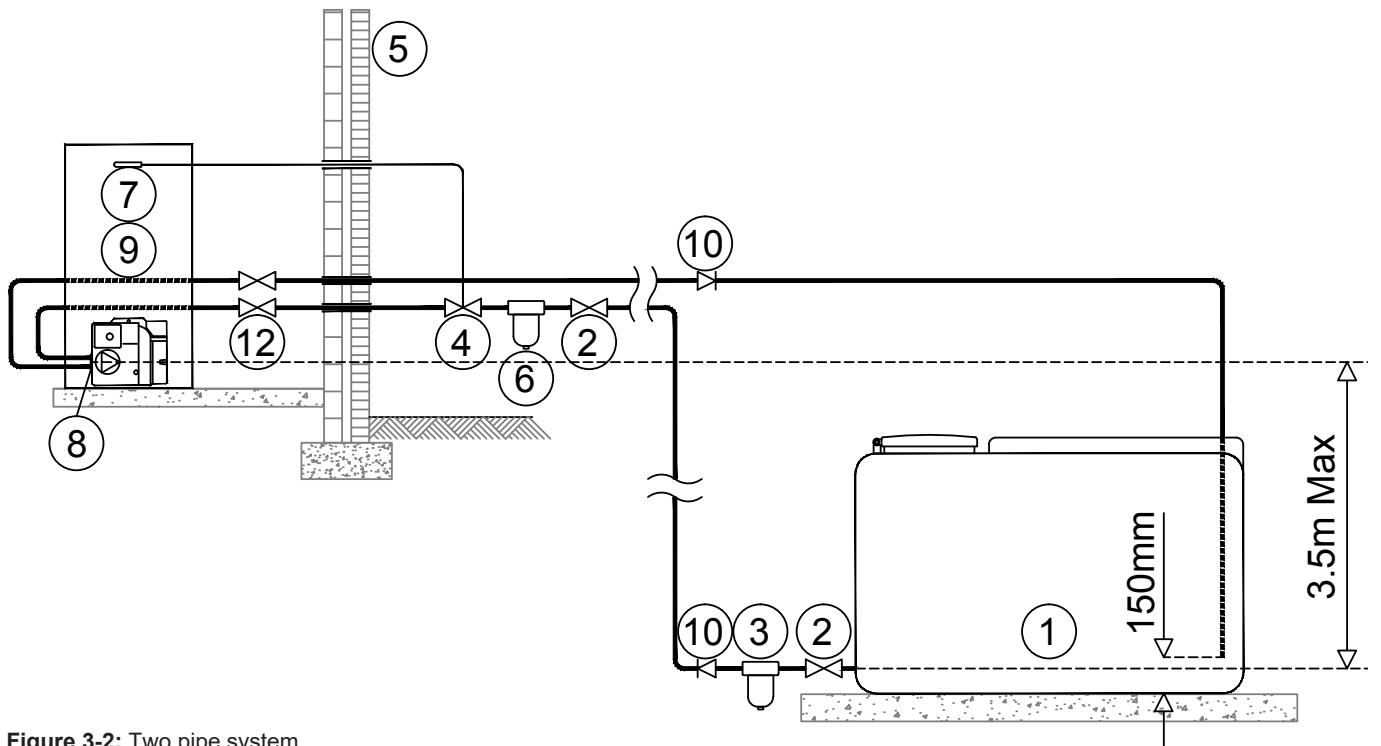


Figure 3-2: Two pipe system

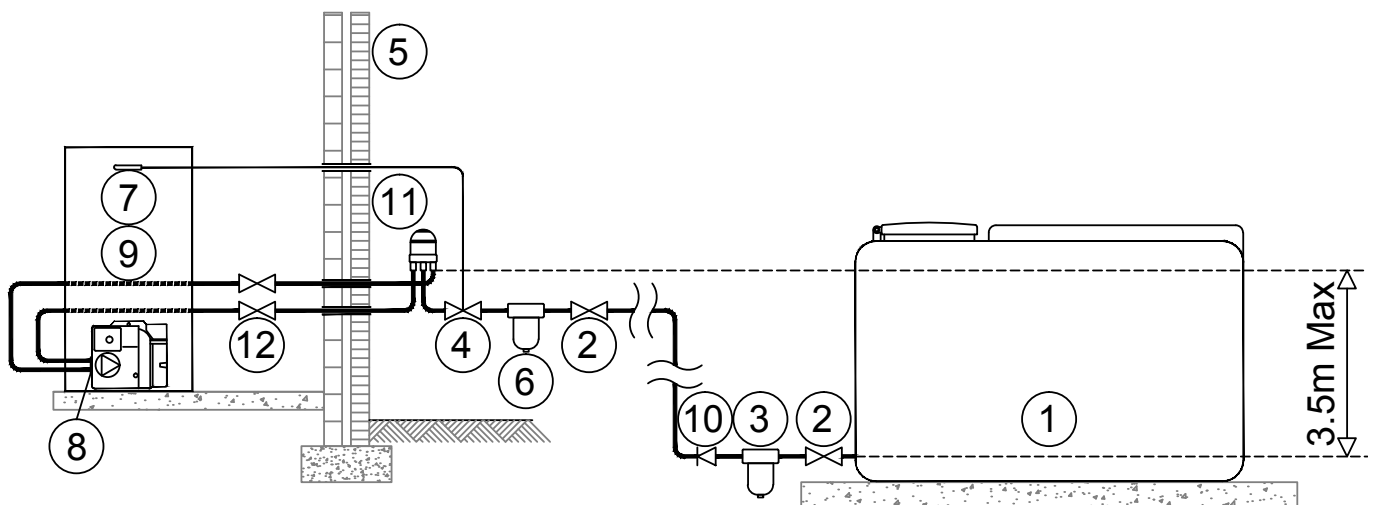


Figure 3-3: De-aeration device system

Key to oil supply diagrams

1	Oil tank	5	External wall	9	Burner
2	Isolating valve	6	Oil filter (15µm max. filtration size)	10	Non-return valve
3	Oil strainer	7	Fire valve sensor	11	De-aerator*
4	Fire valve to BS5410-1	8	Oil pump	12	Appliance isolation valves

* Position of de-aeration device must be level with or above the oil pump

oil supply pipe sizing, refer to OFTEC Technical Book 3: Storage and Supply, available for purchase from OFTEC.

If a two-pipe system is to be used, the following additional items will be required:

- Flexible fuel hose 3/8" male x 1/4" female (product code: RBS36 - 900 mm / product code: RBS36XS - 600mm)
- 3/8" x 1/4" BSP adaptor (product code: Z3003602)
- 1/4" isolating valve (product code: ISOLATION1/4)

These are available to purchase from Grant UK.

3.1.5 SINGLE PIPE (SUCTION) SYSTEM WITH DEAERATOR - (REFER TO FIGURE 3-3)

If the storage tank outlet is below the level of the burner oil pump, an alternative to the two pipe (sub gravity) system is the single pipe (suction) system using a deaerator, e.g. a 'Tiger Loop' device.

The deaerator creates a loop with the burner oil pump, with the oil being circulated through the pump out to the deaerator and back to the pump. Any air in the single pipe lift from the tank is removed from the oil, collected in the deaerator and then discharged to outside.

! WARNING !

To prevent any fuel vapour being discharged within the building, the deaerator must be fitted outside, in accordance with BS 5410-1, unless it is specifically designed to be installed inside.

The de-aerator must be mounted vertically at the same level as (or above) the burner oil pump. Refer to Figure 3-3.

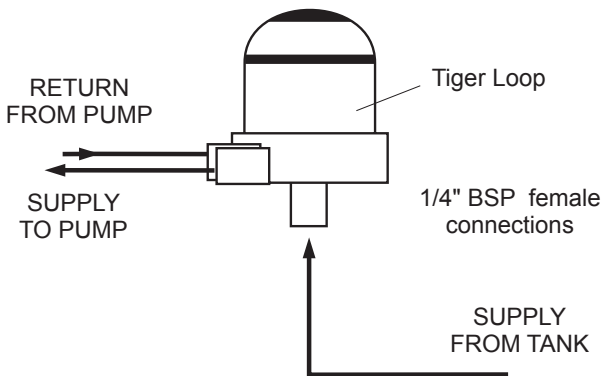


Figure 3-4: Tiger loop de-aeration device

An external deaerator must not be fitted within 500 mm of a flue terminal.

Always follow the manufacturers installation instructions supplied with the deaerator.

To use a de-aerator, the following additional items will be required:

- Flexible fuel hose 3/8" male x 1/4" female (product code: RBS36 - 900 mm / product code: RBS36XS - 600mm)
- 3/8" x 1/4" BSP adaptor (product code: Z3003602)
- 1/4" isolating valve (product code: ISOLATION1/4)

These are available to purchase from Grant UK.

3.2 BURNER OIL CONNECTION

! WARNING !

The blanking plug supplied in the inlet (suction) port is plastic and will not provide an oil tight seal when the pump is running.

Ensure that the supply from the tank is connected to this port and that the plastic plug is discarded.

The burner fuel pump is supplied factory set for use with a single pipe (gravity) oil supply system.

For ease of access to the burner oil pump connections, the burner should be removed from the boiler as follows:

1. Remove the red plastic burner cover.
 - 15/21, 21/26, 26/35 and 36/46 models:
Unscrew and remove the TWO fixing screws from the red burner cover and remove the cover from the burner.
 - 46/58 and 58/70 models:
Unscrew and remove the THREE fixing screws from the red burner cover and remove the cover from the burner.
2. Unscrew and remove the single burner fixing nut from the stud on the burner flange (at the top of the burner) using a 13 mm spanner. Retain the fixing nut for re-fitting the burner.
3. Carefully withdraw the burner from the boiler.

3.2.1 SINGLE PIPE (GRAVITY) CONNECTION - REFER TO FIGURE 3-5

Connect the oil supply to the burner oil pump as follows:

1. Unscrew and remove the plastic blanking plug from the suction port of the burner oil pump and discard it.
2. Fit the nut of the elbow connection on the flexible fuel hose (supplied with the boiler) into the suction port and tighten.
3. Fit the 1/4" isolating valve (supplied with the boiler) to the end of the rigid oil supply pipe using a fitting to suit the pipe size and type (not supplied).
4. Connect the other end of the flexible fuel hose to the isolating valve using the 3/8" x 1/4" BSP adaptor (supplied with the boiler).
5. Re-fit the burner to the boiler. Refer to Section 3.3.

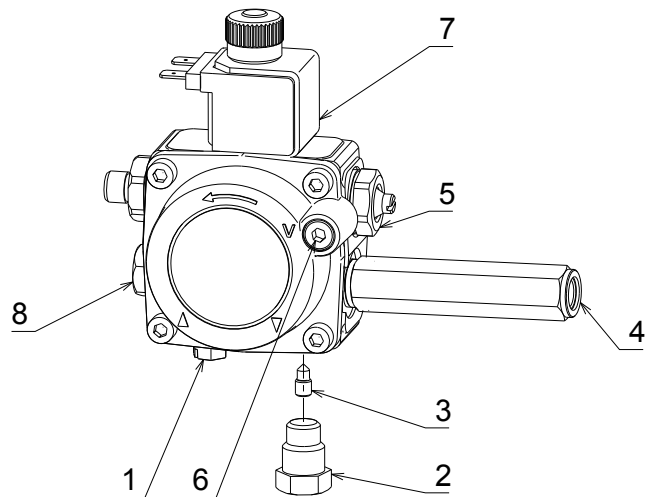


Figure 3-5: Riello RDB pump

Table 3-1: Key to Riello RDB pump

Item	Description
1	Inlet (suction) port
2	Return port
3	By-pass screw
4	Pressure gauge port
5	Pressure adjustment
6	Vacuum gauge port
7	Solenoid
8	Auxiliary pressure test point

3.2.2 TWO PIPE CONNECTION

For either a two pipe (sub gravity) or a single pipe (suction) system with a deaerator, the following additional items will be required:

- Flexible fuel hose 3/8" male x 1/4" female (product code: RBS36 - 900 mm / product code: RBS36XS - 600mm)
- 3/8" x 1/4" BSP adaptor (product code: Z3003602)
- 1/4" isolating valve (product code: ISOLATION1/4)

These are available to purchase from Grant UK.

Connect the oil supply to the burner oil pump as follows:

1. Fit the flexible fuel hose (supplied with the boiler) to the suction port of the burner oil pump, as detailed in Section 3.2.1.

With either a two pipe (sub gravity) system or a single pipe (suction) system with a deaerator, the by-pass screw (supplied with the boiler) must be fitted to the burner oil pump as follows:

1. Unscrew and remove the blanking plug from the return port on the burner oil pump and discard it.
2. Fit the by-pass screw into the threaded hole (inside the return port) and fully screw it in using an allen key.
3. Fit the nut of the elbow connection on the flexible fuel hose into the return port and tighten.
4. Fit the 1/4" isolating valve (not supplied) to the end of the rigid oil return pipe (to the deaerator or oil tank) using a fitting to suit the pipe size and type (not supplied).
5. Connect the other end of the flexible fuel hose (not supplied) to the isolating valve using a 3/8" x 1/4" BSP adaptor (not supplied).
6. Re-fit the burner to the boiler. Refer to Section 3.3.

3.3 FITTING THE BURNER

With all Grant Boiler House models, the burner and boiler are supplied together but in separate cartons.

Fit the burner to the boiler as follows:

1. Remove and retain the fixing nut from the stud on the burner flange on the front of the boiler.
 - Leave the small nut in position on the threaded stud. Check that this nut is fully tightened against the burner mounting flange.
 - Do not remove the burner mounting flange from the boiler.
2. Check that the 'O' ring around the collar of the burner combustion head is in position.
3. Fit the burner on the boiler by sliding the combustion head into the hole in the centre of the mounting flange. Locate the fixing lug (on the top of the burner) on to the fixing stud.
4. With the burner level and correctly located into the mounting flange, fit the nut (previously removed) on to the fixing stud and tighten to secure using a 13 mm spanner.

MAIN BURNER COMPONENTS

Table 3-2: Key to Riello RDB burner components

Item	Description
1	Reset button with lock-out lamp
2	Photoresistance
3	Snorkel (BF)
4	Blast tube
5	Control box
6	Pump pressure adjustment screw
7	Pressure gauge connection
8	Oil pump
9	Flange with gasket (do not remove from boiler)
10	Air damper adjustment screw

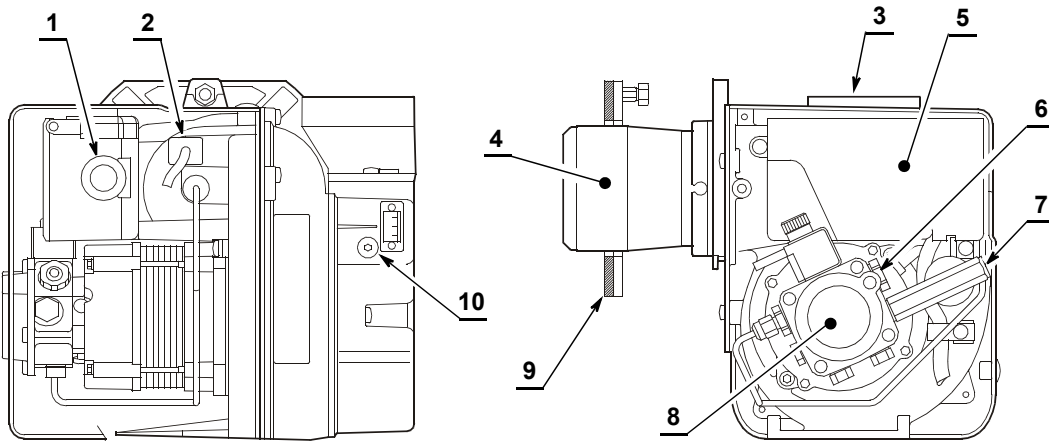


Figure 3-6: Riello RDB burner components (15/21, 21/26, 26/35 and 36/46kW)

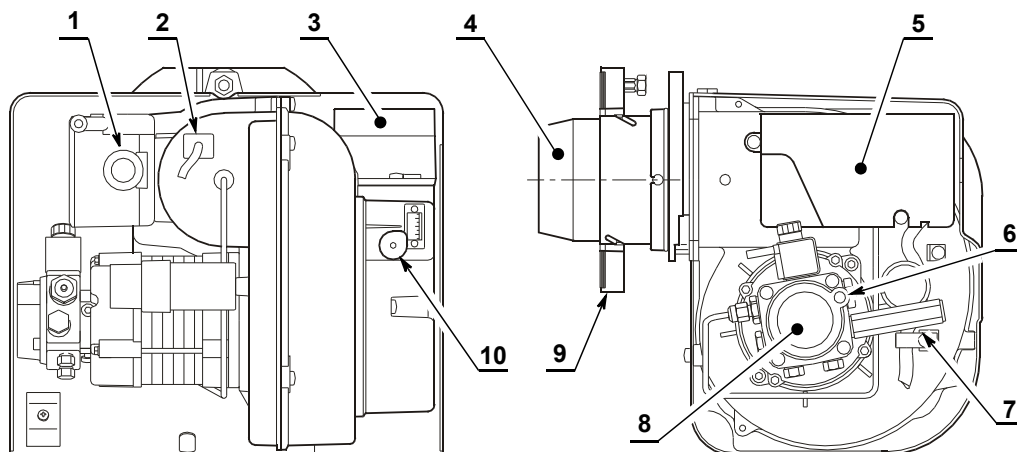


Figure 3-7: Riello RDB burner components (46/58 and 58/70kW)

4 INSTALLATION

4.1 INTRODUCTION

Grant Vortex Boiler House models are supplied in two cartons; one containing the boiler and the other the burner, condensate drain trap and dual thermostat (15/21, 21/26, 26/35 and 36/46 only). The dual thermostat is factory fitted to the boilers on the 46/58 and 58/70 models. The flow pipe and push fit connector are supplied with the 36/46 model (under the removable cover).

4.2 BOILER LOCATION

The boiler must stand on a firm and level surface capable of supporting the boiler when full of water. Refer to Section 2.1 for weights.

It does not require a special hearth as the temperature of the boiler base is less than 50°C.

Sufficient clearance must be allowed at the front of the boiler to remove the burner and baffles for servicing.

4.3 REGULATIONS COMPLIANCE

! NOTE !

Failure to install and commission appliances correctly may invalidate the boiler guarantee.

Installation of a Grant Vortex boiler must be in accordance with the following recommendations:

- Building Regulations for England and Wales, and the Building Standards for Scotland issued by the Department of the Environment and any local Byelaws which you must check with the local authority for the area.
 - Model and local Water Undertaking Byelaws.
 - Applicable Control of Pollution Regulations.
 - National Building Regulations and any local Byelaws.
 - Model Byelaws and the Water Supply Regulations.
 - The following OFTEC requirements:
 - OFS T100 Polythene oil storage tanks for distillate fuels.
 - OFS T200 Fuel oil storage tanks and tank bunds for use with distillate fuels, lubrication oils and waste oils.
- Further information may be obtained from the OFTEC Technical Book 3 (Installation requirements for oil storage tanks) and OFTEC Technical Book 4 (Installation requirements for oil fired boilers).

The installation should also be in accordance with the latest edition of the following British Standard Codes of Practice (and any relevant amendments):

- BS 5410-1: 2019 (Code of practice for liquid fuel firing. Installations for space heating and hot water supply purposes for domestic buildings)
 - This standard covers domestic installations up to 70kW.
- BS 5410-2: 2018 (Code of practice for liquid fuel firing. Non-domestic installations)
 - This standard should be followed with regard to installations with an output capacity in excess of 70kW.
 - Where the combined outputs of multiple appliances located together at a domestic dwelling exceed 70kW then then a dedicated plant room as specified in BS 5410-2 is recommended.
- BS EN 12828 (Heating systems in buildings. Design for water-based heating systems)
- BS EN 12831-1 (Energy performance of buildings. Method for calculation of the design heat load)
- BS EN 14336 (Heating systems in buildings. Installation and commissioning of water-based heating systems)
- BS 7593 (Code of Practice for treatment of water in domestic hot water central heating systems)
- BS 7671 (Requirements for Electrical installations, IET Wiring Regulations)

- BS 7291 (Thermoplastics pipe and fitting systems for hot and cold water for domestic purposes and heating installations in buildings. General requirements)
- BS 7074-1 (Application, selection and installation of expansion vessels and ancillary equipment for sealed water systems. Code of practice for domestic heating and hot water supply)
- BS 2869 (Fuel oils for agricultural, domestic and industrial engines and boilers. Specification)

! WARNING !

BS5410-1: 2019 requires that appliances located in a building or structure or within a restricted area externally should have a CO detector conforming to BS EN 50291-1 installed in the same room/space.

4.4 HEATING SYSTEM DESIGN CONSIDERATIONS

! WARNING !

Before starting any work on the boiler or fuel supply, please read the Health and Safety information given in Section 15.

To achieve the maximum efficiency possible from the Grant Vortex boiler, the heating system should be designed to the following parameters:

RADIATORS:

- Flow temperature 70°C
- Return temperature 50°C
- Differential 20°C

Size radiators with a mean water temperature of 60°C.

Design system controls with programmable room thermostats or use weather compensating controls to maintain return temperatures below 55°C.

! NOTE !

The boiler should not be allowed to operate with return temperatures of less than 40°C when the system is up to temperature.

The use of a pipe thermostat is recommended to control the return temperature when using weather compensating controls.

UNDERFLOOR:

- Flow temperature 50°C
- Return temperature 40°C
- Differential 10°C

In underfloor systems, it is essential that the return temperature must be maintained at or above 40°C to prevent internal corrosion of the boiler water jacket.

Refer to Section 2.4 for the size and type of the connections and Section 5 for the position of the connections.

OPEN VENTED SYSTEMS:

! NOTE !

The presence of 'pumping over' in an open vented heating system connected to the Grant Vortex boiler will invalidate the product guarantee.

Open vented systems must be correctly designed and installed. The open safety vent pipe must be positioned to prevent 'pumping over' (i.e. the discharge of water from the open safety vent pipe into the feed and expansion cistern under the pressure created by the circulator). For detailed information on the correct design of open vented heating systems, and the correct location of the open safety vent pipe, refer to the CIBSE Domestic Heating Design Guide and OFTEC Technical Book 4 (Installation).

4.5 PIPEWORK MATERIALS

The Grant Vortex boiler is compatible with both copper and plastic pipe. Where plastic pipe is used it must be of the oxygen barrier type and be the correct class (to BS 7291-1) for the application concerned.

On either sealed or open-vented systems; where plastic pipe is used a minimum of ONE metre of copper pipe (or as per pipe manufacturers instructions) **MUST** be connected between both the boiler flow and return connections and the plastic pipe.

! NOTE !

Do not connect plastic pipe directly to the boiler.

Grant UK does not accept any responsibility for any damage, however caused, to plastic piping or fittings.

SEALED SYSTEMS

If plastic pipe is to be used, the installer must check with the plastic pipe manufacturer that the pipe to be used is suitable for the temperature and pressures concerned.

Plastic pipe must be Class S to BS 7291-1.

! WARNING !

When plastic pipe is used, the system MUST incorporate a low pressure switch to shut off power to the boiler if the system pressure drops below 0.2 bar. A suitable low pressure switch kit is available to purchase from Grant UK (product code: MPCBS62).

UNDERFLOOR PIPEWORK

Plastic pipe may be used on underfloor floor systems where the plastic pipe is fitted after the thermostatic mixing valve. Copper tube must be used for at least the first metre of flow and return primary pipework between the boiler and the underfloor mixing/blending valves.

4.6 CONNECTIONS

4.6.1 FLOW AND RETURN CONNECTIONS

Refer to Section 5.

4.6.2 CONDENSATE CONNECTION

The condensate trap is supplied loose in the burner box and needs to be fitted as shown in Figure 6-2.

Refer to Section 6 for details of the condensate disposal pipework.

4.6.3 DRAIN COCK

A drain cock is supplied in the accessories pack and should be fitted at the bottom on the front of the boiler to allow the boiler to be drained.

To enable draining of the system, a suitable drain cock must be fitted at the lowest point of the heating system.

4.7 PREPARATION FOR INSTALLATION

1. Grant Vortex Boiler House models are supplied in two separate cartons; one containing the boiler and the other containing the burner and condensate drain trap. The dual thermostat (15/21, 21/26, 26/35 & 36/46 models) is also included with the burner.

The dual thermostat is factory fitted on the 46/58 and 58/70 models.

The flow pipe and push fit connector are supplied with the 36/46 model (under the removable cover).

2. Carefully remove the packaging from the boiler and unpack the carton containing the remaining items.

4.8 INSTALLING THE BOILER

1. Having decided upon the position of the boiler and type of flue, prepare the wall as described in Section 9. Ensure that the flue terminal position complies with the necessary clearances.
2. Make the water connections as described in Section 5. If access will be restricted, make any connections to the boiler before placing it in its final position. Refer to Section 7 if the boiler is to be used on a sealed system.

! NOTE !

If using a balanced flue system - install the balanced flue system before connecting the heating system pipework to the boiler. Once the flue system is fitted then complete the water connections and fill the heating system.

3. Ensure the requirements are met for the disposal of condensate as described in Section 6.
4. Connect the power supply as described in Section 8.
5. Connect the flue and ensure there is an adequate air supply as described in Section 9.

4.9 FILLING THE HEATING SYSTEM

Refer to Section 7.2 (Filling the Sealed System)

4.10 BEFORE YOU COMMISSION

To avoid the danger of dirt and foreign matter entering the boiler the complete heating system should be thoroughly flushed out – both before the boiler is connected and then again after the system has been heated and is still hot. This is especially important where the boiler is to be installed on an older system.

For optimum performance after installation, the boiler and the associated heating system must be flushed in accordance with the guidelines given in BS 7593 (Treatment of water in domestic hot water central heating systems). This must involve the use of a proprietary cleaner, such as Sentinel X300 (new systems), Sentinel X400 (existing systems), or Fernox Restorer.

After cleaning, it is vitally important that all traces of the cleaner are thoroughly flushed from the system.

For long term protection against corrosion and scale, after cleaning/flushing a suitable inhibitor should be added to the system water, such as Sentinel X100 or Fernox MB-1, in accordance with the manufacturers' instructions.

Failure to follow the above will invalidate the guarantee.

If the boiler is installed in a garage or out house, in order to provide further protection should there be a power failure in cold weather, a combined anti-freeze and corrosion inhibitor can be used such as Sentinel X500 or Fernox Alphi-11. Follow the manufacturers' instructions supplied to achieve the level of anti-freeze protection required.

For details of the Sentinel Products visit www.sentinel-solutions.net and for Fernox products visit www.fernox.com.

Grant UK strongly recommends that a Grant Mag One in-line magnetic filter/s (or equivalent*) is fitted in the heating system pipework. This should be installed and regularly serviced in accordance with the filter manufacturer's instructions.

* As measured by gauss. The MagOne magnetic filter has a gauss value of 12000.

4.11 COMPLETION

Following installation of the boiler, instruct the user in the operation of the boiler, the boiler controls, the heating controls and the safety devices.

Please ensure that the OFTEC CD/10 installation completion report (provided with the boiler) is completed in full, leaving the top copy with the user and retain the carbon copy for your own records.

Ensure that the User Handbook (supplied with the boiler) is handed over to the user.

5 PIPE CONNECTIONS

5.1 GENERAL

The flow and return pipework can be routed to either side of the boiler, dependant on the type and direction of the flue system used.

For condensate disposal pipework refer to Section 6.

A drain cock is supplied in the accessories pack and should be fitted at the bottom on the front of the boiler to allow the boiler to be drained.

Key to diagrams	
Key	
F	Flow
FP	Flow pipe
FC	Flow connection
R	Return
MB	Mounting bracket
DS	Dual stat
CP	Removable cover plate
P	Pockets
SP	Split pin

5.2 15/21, 21/26 AND 26/35 MODELS

FLOW CONNECTION

A 1" BSP socket is provided for the boiler flow connection. This is located on the top of the boiler towards the right hand side. Refer to Figure 5-1.

The flow pipe from the boiler will need to be vented as it is the highest point on the primary heat exchanger.

RETURN CONNECTION

A second 1" BSP socket is provided for the boiler return connection. This is located on the top of the boiler towards the front on the right hand side. Refer to Figure 5-1.

The return pipe to the boiler will also need to be vented as it is the highest point on the secondary heat exchanger.

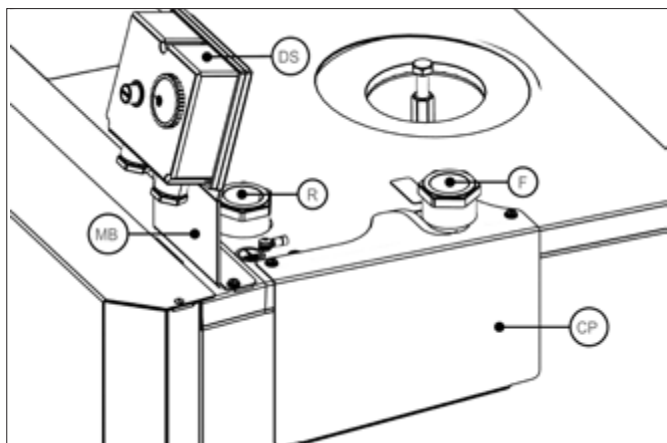


Figure 5-1: 15/21, 21/26 and 26/35 models - dual stat/mounting bracket, flow and return connections and removable cover plate

5.3 36/46 MODEL ONLY

FLOW CONNECTION

A 28mm compression connection is supplied for the boiler flow connection. This is located on the right hand side of the boiler behind a removable cover plate. To gain access to the connection, unscrew and remove the two screws from the top flange of the cover plate and remove cover plate from boiler. Refer to Figure 5-2.

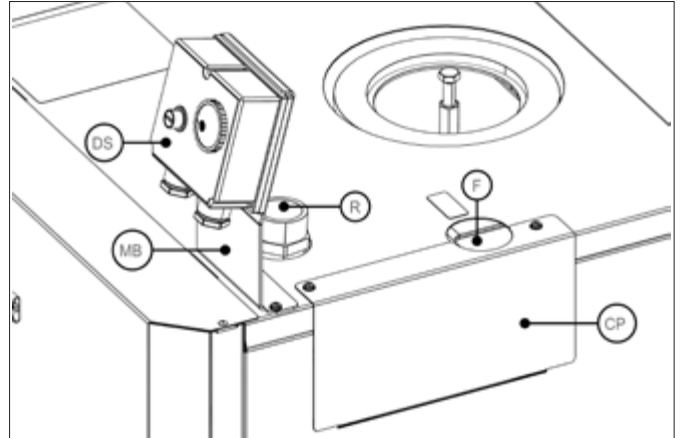


Figure 5-2: 36/46 model - dual stat/mounting bracket, flow and return connections and removable cover plate

A bent 28mm flow pipe, with two thermostat pockets, is supplied with the boiler to be fitted into the flow connection, as follows:

1. With the cover plate removed, loosen the compression nut and fit the longer leg of the bent flow pipe into the connection.
2. Ensure that the pipe is vertical and fully pushed into the connection.
3. With the open end of the flow pipe pointing in the required direction (see below), fully tighten the compression nut. Refer to Figure 5-3.
4. Replace cover plate and secure with the two screws previously removed.

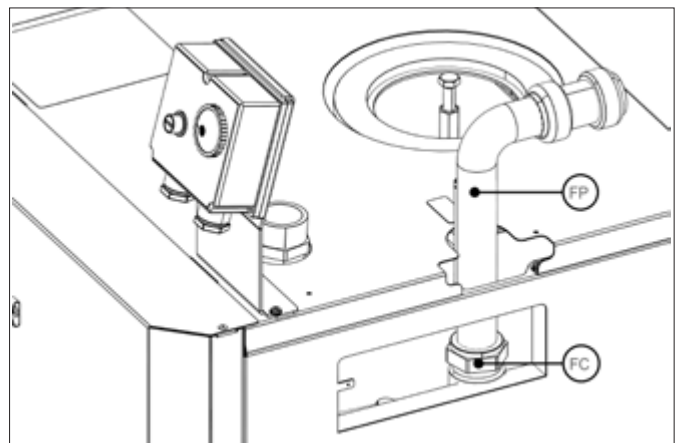


Figure 5-3: 36/46 model - flow pipe fitted (cover plate removed)

The direction of the bent flow pipe will depend on the flue system being used with the boiler.

If a Grant low level balanced flue (Yellow System) or external balanced flue system (Green System) is used, the flow pipe must be positioned as follows:

- If the flue points towards the right of the boiler (viewed from the front), the flow pipe must be set to point either to the right or to the front of the boiler to avoid clashing with the flue.
- If the flue points towards the rear of the boiler, the flow pipe must be set to point either to the rear, to the right or to the front of the boiler to avoid clashing with the flue.
- If the flue points towards the left of the boiler (viewed from the front), the flow pipe must be set to point either to the rear, to the right or to the front of the boiler to avoid clashing with the flue.

A 28mm push-fit straight connector is provided for making the connection to the open end of the bent flow pipe.

The flow pipe from the boiler will need to be vented as it is the highest point on the primary heat exchanger.

! NOTE !

The pipe to be fitted into the push-fit connector provided should be cut using a pipe slicer or pipe cutter, to leave the end with a slight radius and free from any burrs or sharp edges. It must NOT be cut using a hacksaw.

RETURN CONNECTION

A 1" BSP socket is provided for the boiler return connection. This is located on the top of the boiler towards the front on the right hand side. Refer to Figure 5-2.

The return pipe to the boiler will also need to be vented as it is the highest point on the secondary heat exchanger.

5.4 46/58 AND 58/70 MODELS

FLOW CONNECTION

A 1 1/4" BSP socket is provided for the boiler flow connection. This is located in the right hand side of the boiler. Refer to Figure 5-4.

The flow pipe from the boiler will need to be vented as it is the highest point on the primary heat exchanger.

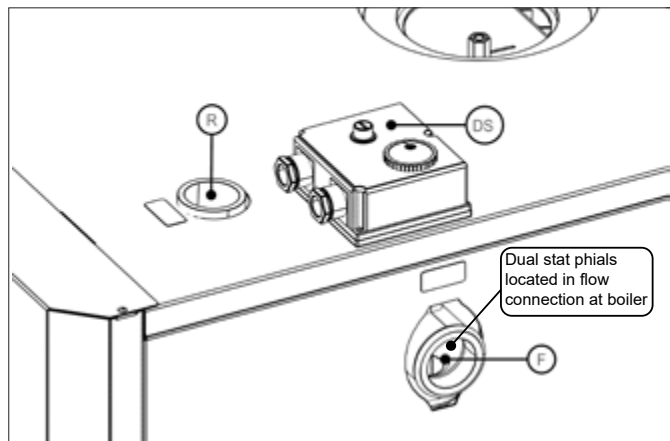


Figure 5-4: 46/58 and 58/70 models - dual stat, dual stat phials, flow and return connections

RETURN CONNECTION

A second 1 1/4" BSP socket is provided for the boiler return connection. This is located on the top of the boiler towards the front on the right hand side. Refer to Figure 5-4.

The return pipe to the boiler will also need to be vented as it is the highest point on the secondary heat exchanger.

5.5 FITTING THE DUAL THERMOSTAT

Refer to Section 8 for the dual thermostat electrical connection details.

The dual thermostat is supplied factory fitted on the 46/58 and 58/70 Vortex Boiler House models. Refer to Figure 5-4.

On all other models the dual thermostat is supplied on a mounting bracket for fitting on to the boiler casing by the installer on site. It is to be located on the top of the boiler, at the front, towards the right hand side. Refer to Figures 5-1 and 5-2.

To fit the dual thermostat/mounting bracket:

1. Unscrew and remove the two fixing screws from the top of the boiler casing.
2. Position the dual thermostat/mounting bracket such that the two holes in the flange align with the two fixing holes in the top of the boiler casing.
3. Secure the dual thermostat/mounting bracket using the two fixing screws previously removed.

15/21, 21/26 AND 26/35 MODELS

To fit the dual thermostat capillary phials into their pockets on the boiler:

1. Remove the cover plate located at the top of the boiler right hand side panel.
To do this, unscrew and remove the two screws from the top flange of the cover plate and remove it from the boiler. Refer to Figure 5-5.

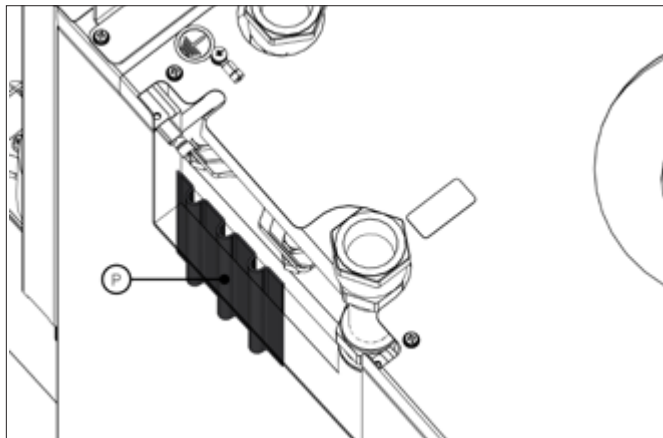


Figure 5-5: 15/21, 21/26 and 26/35 models - cover plate (removed) and dual stat pockets

2. Unwind the thermostat capillaries taking care not to kink or break them.
3. Locate the two capillary phials in the two pockets on the side of the boiler, ensuring that the capillaries pass through the small cut-out in the top casing panel.
4. Refit the cover plate and secure in position using the two fixing screws previously removed.

36/46 MODEL

On this model the two pockets for the dual thermostat capillary phials are located on the bent flow pipe fitted into the boiler flow connection. Refer to Section 5.3.

1. Unwind the thermostat capillaries taking care not to kink or break them.
2. Locate the two capillary phials in the two pockets on the side of the flow pipe.
3. Secure both phials in place by fitting the split pin provided through the small holes at the top of the phial pockets. Refer to Figure 5-6.

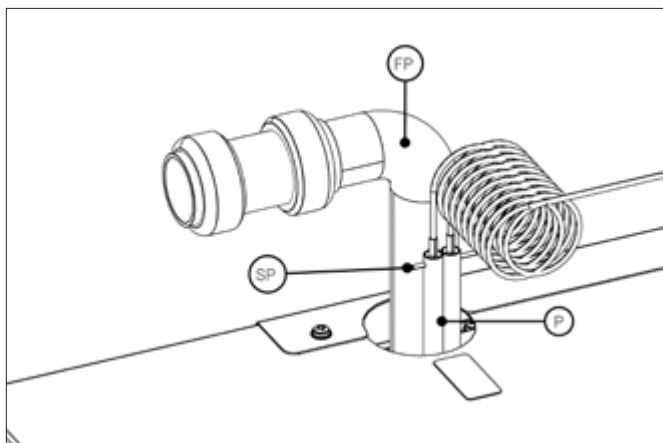


Figure 5-6: 36/46 model - dual stat phials fitted in pockets

6 CONDENSATE DISPOSAL

6.1 GENERAL REQUIREMENTS

When in condensing mode the Grant Vortex boilers produce condensate from the water vapour in the flue gases.

This condensate is moderately acidic with a pH value of around 3.27 (similar to orange juice).

Provision must be made for the safe and effective disposal of this condensate.

Condensate can be disposed of using one of the following methods of connection:

Internal connection (preferred option)

- into an internal domestic waste system (from kitchen sink, washing machine, etc.)
- directly into the soil stack

External connection

- into an external soil stack
- into an external drain or gully
- into a rainwater hopper (that is part of a combined system where sewer carries both rainwater and foul water)
- purpose made soakaway

All condensate disposal pipes **must** be fitted with a trap - whether they are connected internally or externally to a domestic waste system/soil stack or run externally to a gully, hopper or soakaway.

6.2 CONNECTIONS

Connections into a rainwater hopper, external drain or gully should be terminated inside the hopper/drain/gully below the grid level but above the water level.

! CAUTION !

Condensate disposal pipes must not be connected directly into rainwater downpipes or to waste/soil systems connected to septic tanks.

Condensate should not be discharged into 'grey water' systems that re-use water used in the home (not including water from toilets).

It should be noted that connection of a condensate pipe to the drain may be subject to local Building Control requirements.

6.3 PIPEWORK

Condensate disposal pipework must be plastic (plastic waste or overflow pipe is suitable).

! NOTE !

Copper or steel pipe is NOT suitable and MUST NOT be used.

Condensate disposal pipes should have a minimum 'nominal' diameter of 22 mm (¾") - e.g. use 21.5 mm OD polypropylene overflow pipe.

Condensate disposal pipes must be fitted with a fall (away from the boiler) of at least 2.5° (~45 mm fall per metre run).

! NOTE !

Where it is not possible for the pipe to fall towards the point of discharge - either internally into a waste system or externally to a gully (e.g. for boilers installed in a basement), it will be necessary to use a condensate pump.

Condensate disposal pipes should be kept as short as possible and the number of bends kept to a minimum.

Pipes should be adequately fixed to prevent sagging, i.e. at no more than 0.5 metre intervals.

6.4 EXTERNAL PIPEWORK

Ideally, external pipework, or pipework in unheated areas, should be avoided. If unavoidable, external pipework should be kept as short as possible (less than 3 metres) and 32 mm waste pipe used to minimise the risk of ice blocking the pipe in freezing conditions.

The number of bends, fittings and joints on external pipes should be kept to a minimum to reduce the risk of trapping condensate.

! NOTE !

For boilers installed in an unheated area such as a loft, basement, outhouse or garage, all condensate pipework should be as 'external'.

The pipework should be insulated using suitable waterproof and weather resistant insulation.

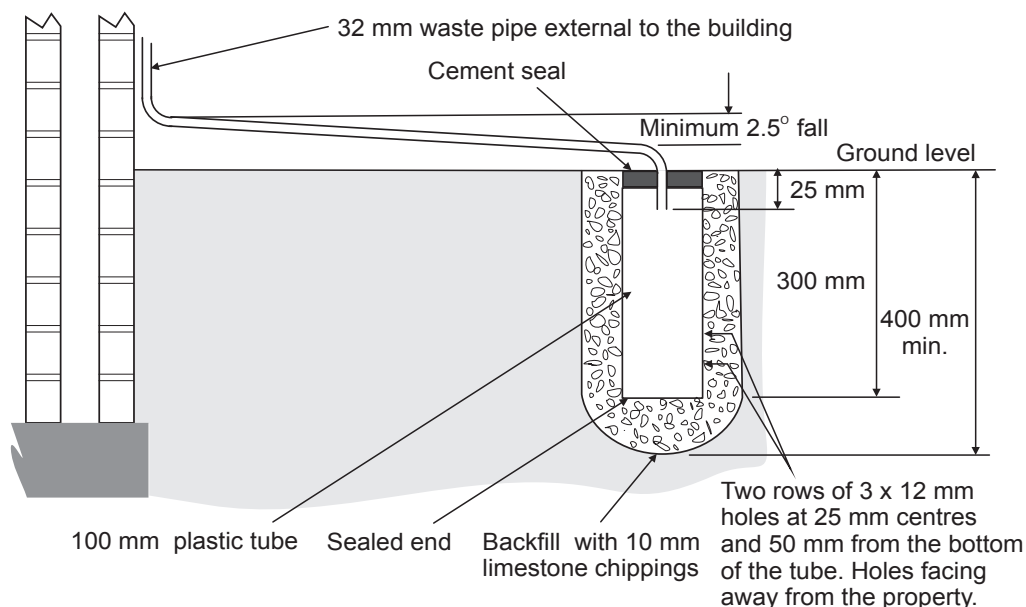


Figure 6-1: Purpose made condensate soakaway

6.5 CONDENSATE SOAKAWAY

To keep external pipework to a minimum, locate the soakaway as close as possible to the boiler but ensure it is at least 500 mm from building foundations and away from other services, e.g. gas, electricity, etc.

The condensate pipe may be run above or below ground level and can enter either the top or side of the soakaway tube. Refer to Figure 6-1.

Ensure that the drainage holes in the soakaway tube face away from the building.

Backfill both the soakaway tube, and the hole around it, with 10 mm limestone chippings.

Only use a soakaway where the soil is porous and drains easily. Do not use in clay soils or where the soil is poorly drained.

! CAUTION !

Any damage due to condensate backing up into the boiler due to a high water table, in the case of a soakaway, or flooded drains when the condensate disposal is via a gully or soil stack, is not covered by the Grant product guarantee.

6.6 CONDENSATE TRAP

Grant Vortex boilers are supplied with a condensate trap to provide the required 75 mm water seal in the condensate discharge pipe from the boiler.

The condensate trap for the Boiler House models is supplied loose in the burner box and needs to be fitted as shown in Figure 6-2.

This trap incorporates a float (which will create a seal when the trap is empty) and an overflow warning outlet (fitted with a plastic sealing cap), see Figure 6-2.

A flexible hose connects the outlet of the condensing heat exchanger to the trap inlet. Ensure the elbow connector on the hose is fully pushed onto the 'top hat' inlet connector of the trap.

If connecting the condensate discharge (either internally or externally) into a waste system or soil stack - the sealing cap must be fitted in the trap outlet.

On external discharge systems to a hopper, gully or soakaway, the sealing cap should be removed from the trap outlet.

If there is any discharge of condensate from the overflow outlet, this could indicate a blockage (possibly due to freezing). Turn off the boiler and investigate the cause. If necessary contact your service engineer for assistance.

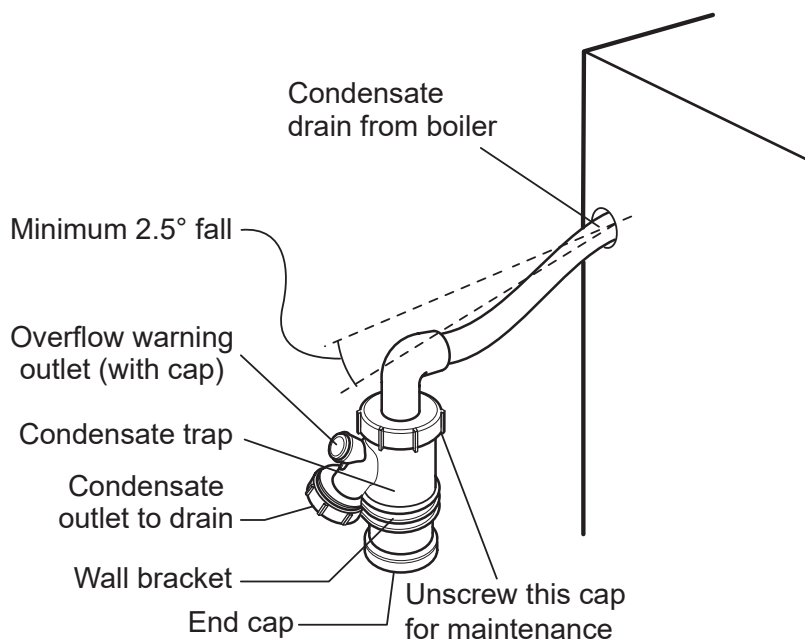


Figure 6-2: Condensate trap

! WARNING !

Care should be taken when siting the trap such that the overflow outlet is readily visible and that any condensate overflowing from the outlet cannot cause either a hazard to persons or damage to surrounding property or equipment.

6.7 CONDENSATE DISPOSAL PIPEWORK

The condensate trap outlet is at an angle of 48° below the horizontal. This is to automatically give a 3° fall on any 'horizontal' runs of condensate disposal pipe. Refer to Figure 6-2.

The outlet of the trap will accept 21.5 mm to 23 mm OD Polypropylene overflow pipe for the condensate discharge pipe. The discharge pipe exits through a pre-cut hole in the left side of the boiler casing, as shown in Figures 6-2 and 2-4 to 2-6.

! NOTE !

When connecting plastic discharge pipe, ensure that the pipe is fully pushed into the outlet end on the flexible hose to prevent the possibility of leakage.

6.8 INSPECTION AND CLEANING OF TRAP

The trap **must** be checked at regular intervals (e.g. on every annual service) and cleaned as necessary to ensure that it is clear and able to operate.

The bottom bowl can be unscrewed from the trap body for inspection and cleaning.

To inspect and clean the trap:

1. Disconnect flexible condensate hose from inlet connector.
2. Unscrew the inlet connection nut.
3. Remove the inlet connector and nut from trap.
4. Remove trap from bracket.
5. Remove float from trap – clean if necessary.
6. Inspect inside of trap and clean as necessary.
7. Re-assemble trap, re-fit to boiler and re-connect flexible hose. Ensure that hose is fully pushed onto the trap inlet connector.

! CAUTION !

Failure to regularly check and clean the condensate trap may result in damage to the boiler and will not be covered by the product guarantee.

7 SEALED SYSTEMS

7.1 SEALED SYSTEM REQUIREMENTS

Table 7-1: Key to sealed system diagram

Key	
1	Expansion vessel
2	Pressure gauge
3	Pressure relief valve
4	Tundish
5	Removable filling loop
6	Double check valve
7	Air vent
8	Thermostatic radiator valve
9	Automatic bypass
10	Drain point

All Grant Vortex Boiler House models are suitable for use with sealed systems complying with the requirements of BS EN 12828, BS EN 12831 and BS EN 14336.

The system must be provided with the following items:

- Diaphragm expansion vessel complying with BS EN 13831
- Pressure gauge
- Pressure relief (safety) valve
- Approved method for filling the system

7.1.1 EXPANSION VESSEL

The expansion vessel should be fitted in the return pipework as shown in Figure 7-1. To reduce the operating temperature of the expansion vessel, position it below the pipe to which it is connected.

The expansion vessel may be positioned away from the system, providing the connecting pipe is not less than 13 mm in diameter. If the expansion vessel is connected via a flexible hose, care must be taken to ensure that the hose is not twisted or kinked.

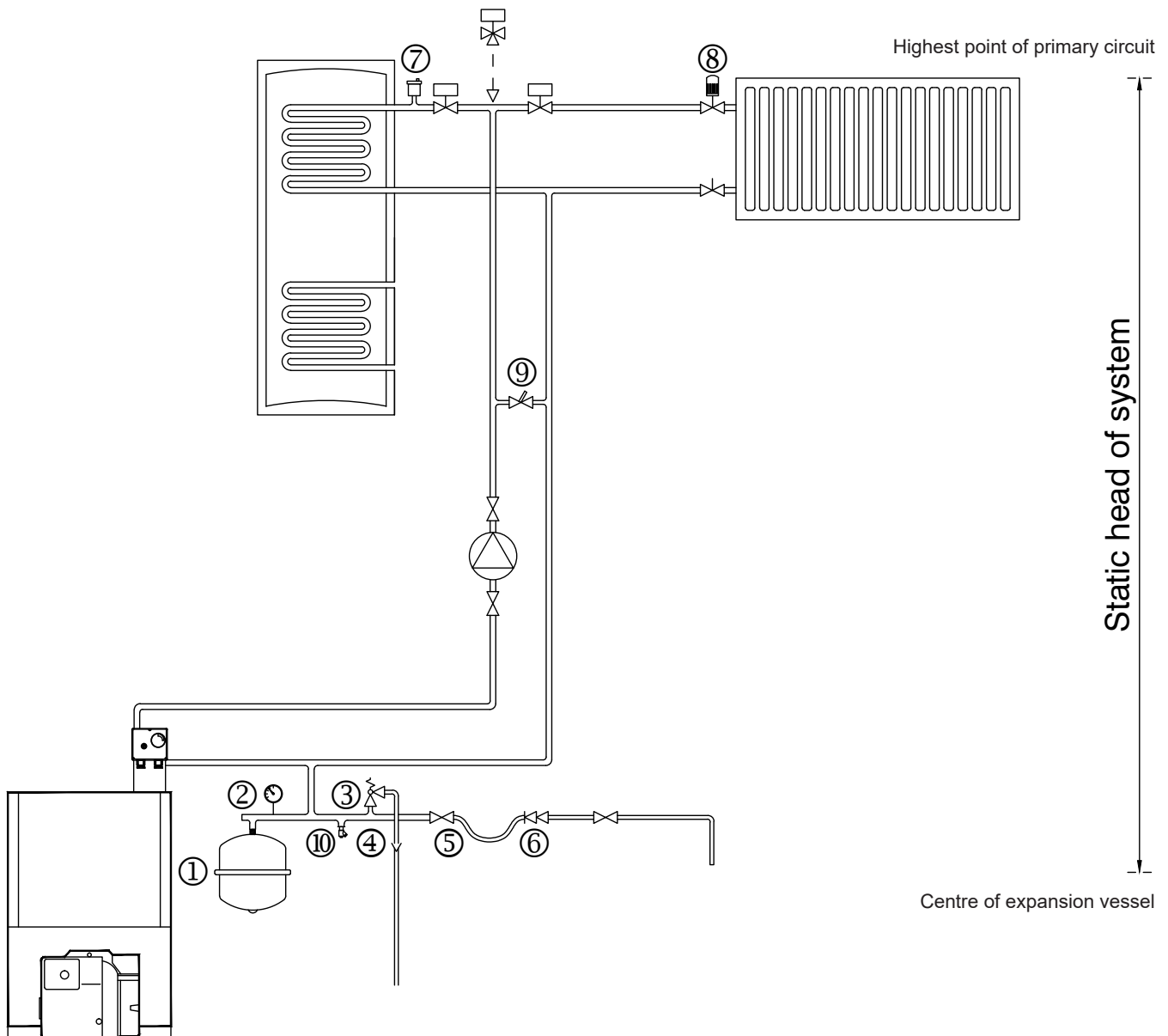


Figure 7-1: Sealed system

! NOTE !

Ensure that the expansion vessel used is of sufficient size for the system volume.

Refer to BS 7074-1 or The Domestic Heating Design Guide for sizing the required vessel.

7.1.2 PRESSURE GAUGE

The pressure gauge must have an operating range of 0 to 4 bar. It must be located in an accessible place next to the filling loop for the system.

7.1.3 PRESSURE RELIEF (SAFETY) VALVE

The pressure relief (safety) valve should be fitted in the flow pipework near to the boiler.

The pipework between the pressure relief (safety) valve and boiler must be unrestricted, i.e. no valves. The pressure relief (safety) valve should be connected to a discharge pipe which will allow the discharge to be seen, but cannot cause injury to persons or damage to property.

7.1.4 FILLING LOOP

Provision should be made to replace water lost from the system. This can be done manually (where allowed by the local water undertaking) using an approved filling loop arrangement incorporating a double check valve assembly.

The filling loop must be isolated and disconnected after filling the system.

7.1.5 HEATING SYSTEM

The maximum 'setpoint' temperature for the central heating water is 75°C. Refer to Section 1.1.

An air vent should be fitted in the flow and return pipes of the highest point of the system.

If thermostatic radiator valves are fitted to all radiators, a system by-pass must be fitted. The by-pass must be an automatic type.

All fittings used in the system must be able to withstand pressures up to 3 bar. Radiator valves must comply with the requirements of BS 2767.

One or more drain taps (to BS 2879) must be used to allow the system to be completely drained.

7.2 FILLING THE SEALED SYSTEM

Filling of the system must be carried out in a manner approved by the local Water Undertaking.

! WARNING !

Only ever fill or add water to the system when it is cold and the boiler is off. Do not overfill.

The procedure for filling the sealed system is as follows:

1. Check the air charge pressure in the expansion vessel BEFORE filling the system.

! NOTE !

The air charge pressure can only be correctly checked when the system water pressure is zero.

The expansion vessel charge pressure should always be slightly greater than the maximum static head of the system, in bar, at the level of the vessel (1 bar = 10.2 metres of water). Refer to Figure 7-1.

The charge pressure must not be less than the actual static head at the point of connection.

! NOTE !

The air charge pressure may be checked using a tyre pressure gauge on the expansion vessel Schraeder valve.

The vessel may be re-pressurised, when necessary, using a suitable pump. When checking the air pressure, the water in the heating system must be cold and the system pressure reduced to zero.

2. Check that the small cap (or screw) on all air vents is open at least one turn. The cap (or screw) remains in this position from now on.
3. Ensure that the flexible filling loop is connected and that the double check shut off valve connecting it to the water supply is closed. A valve is open when the operating lever is in line with the valve, and closed when it is at right angles to it.
4. Open the fill point valve.
5. Gradually open the double check valve from the water supply until water is heard to flow.
6. When the needle of the pressure gauge is between 0.5 and 1.0 bar, close the valve.
7. Vent each radiator in turn, starting with the lowest one in the system, to remove air.
8. Continue to fill the system until the pressure gauge indicates between 0.5 and 1.0 bar. Close the fill point valve. The system fill pressure (cold) should be 0.2 - 0.3 bar greater than the vessel charge pressure – giving typical system fill pressures of approx 0.5 bar for a bungalow and 1.0 bar for a two storey house.
Refer to the Domestic Heating Design Guide for further information if required.
9. Repeat steps 5 to 7 as required until system is full of water at the correct pressure and vented.
10. Water may be released from the system by manually operating the safety valve until the system design pressure is obtained.
11. Close the fill point and double check valves either side of the filling loop and disconnect the loop.
12. Check the system for water soundness, rectifying where necessary.

7.3 VENTING THE PUMP

For those heating circulating pumps fitted with a vent plug, it is important that the pump is properly vented to avoid an air lock and also prevent it running dry and damaging the bearings.

Unscrew and remove the plug from the centre of the pump motor. Using a suitable screwdriver, rotate the pump spindle about one turn. Replace the plug in the motor. Do not over tighten.

! NOTE !

Some heating circulating pumps are not fitted with a vent plug so it is not possible to vent these pumps in the manner described above. Refer to pump manufacturers own instructions for further details.

7.4 PRESSURE RELIEF (SAFETY) VALVE OPERATION

Check the operation of the pressure relief (safety) valve as follows:

1. Turning the head of the valve anticlockwise until it clicks. The click is the safety valve head lifting off its seat allowing water to escape from the system.
2. Check that the water is escaping from the system.
3. Top-up the system pressure, as necessary, by following the procedure outlined in Section 7.2.

8 ELECTRICAL

! WARNING !

Ensure that the electrical supply has been isolated before making any connections to the boiler.

8.1 GENERAL

Grant Vortex Boiler House models require a ~230V 1ph 50Hz supply. It must be protected by a 5 Amp fuse.

Refer to Figures 8-1 and 8-2 for typical control system wiring diagrams for all models.

Refer to Figure 8-3 for the dual thermostat wiring diagram.

! WARNING !

The Vortex boiler contains electrical switching equipment and must be earthed.

The supply must be fused at 5 Amp and there must only be one common isolator for the boiler and control system, providing complete electrical isolation.

A fused double pole switch or a fused three pin plug and shuttered outlet socket should be used for the connection.

The power supply cable should be at least 0.75 mm² PVC as specified in BS 6500, Table 16.

All the wiring and supplementary earth bonding external to the boiler must be in accordance with the current IET Wiring Regulations.

Any room thermostat or frost thermostat used must be suitable for use on mains voltage.

In the event of an electrical fault after installation of the boiler, the following electrical system checks must be carried out:

- Short circuit
- Polarity
- Earth continuity
- Resistance to earth

! NOTE !

If the supply cord is damaged, it must be replaced by the manufacturer, its service agent or similarly qualified persons in order to avoid a hazard.

8.2 CONNECTING THE POWER SUPPLY

It is recommended that the boiler should be connected to a switched mains power supply from an external programmer or control system.

Fit and connect the dual thermostat control as follows:

1. First fit the flow pipe (36/46 models only). Refer to Section 5.3. Fit the thermostat phials of the dual thermostat into the thermostat pockets on the flow pipe. Refer to Figure 5-6.
2. Fit the dual thermostat and bracket (15/21, 21/26, 26/35 and 36/46 models only).

For 46/58 and 58/70 models – the dual thermostat is factory fitted (refer to Figure 5-4).

3. Undo the three screws securing the dual thermostat cover and lift off the cover.
4. Withdraw the cable support bushes from the cover. Pass the burner supply cable through one of the bushes and connect it to the boiler (control) thermostat (refer to Figure 8-3) as follows:

- Live (Brown) to terminal 1 on the control thermostat
- Green/Yellow to the earth terminal, marked \perp , on the control Thermostat
- Pass the Earth 'flying lead' (Green/Yellow) from casing through the same bush and connect to earth terminal, marked \perp , on the control thermostat.

5. Pass a switched mains power supply through the other cable support bush and connect it to the overheat thermostat (refer to Figure 8-3) as follows:

- Switched live (Brown) to terminal C on the overheat thermostat
- Earth (Green/Yellow) to the earth terminal (marked \perp) on the overheat thermostat
- An earth link (not supplied) must be fitted between the earth terminals of the overheat and control thermostats both marked \perp . Refer to Figure 8-3.
- Neutral (Blue) wire from incoming switched mains supply must be linked to the neutral (Blue) wire to the burner using a single connector (not supplied).
- A link (not supplied) must be fitted between terminal 2 on the overheat thermostat and terminal C of the control thermostat. Refer to Figure 8-3.

Refer to Figures 8-1 and 8-2 for typical control system wiring diagrams.

For other systems not covered, contact Grant Engineering (UK) Ltd.

! WARNING !

DO NOT connect the neutral wires to either of the two thermostats.

- There are NO connections to terminal 1 on the overheat thermostat and terminal 2 on the control thermostat.
- Position the support bushes so as not to strain the connections when the cover is replaced. Place the cover in position locating the bushes at the same time.

! NOTE !

It may be necessary to rotate the thermostat knob to engage it on the operating spindle as the cover is replaced.

- Secure the cover in position by tightening the three screws. Tighten the cable support bush nuts to secure the cables.
- Ensure that all external wiring is adequately supported.

! WARNING !

After completing electrical connections and before reconnecting the electrical supply to the boiler, ensure the dual thermostat cover is properly secured.

- Re-connect the electrical supply and check operation of heating system controls (programmer, room thermostats, etc.).
- Refer to Instructions provided with the programmer for operation and setting.
- Leave the Programmer and Thermostat Instructions with the user after installation for their future reference.

BURNER LEAD PLUG/SOCKET CONNECTOR

On all models, the electrical cable between the boiler control panel and burner is now fitted with an in-line 3-way plug and socket connector. This enables the burner to be easily disconnected from the boiler control panel for ease of removal and servicing.

8.3 FROST PROTECTION

For additional protection of either the entire heating system, or the boiler and localised pipework, it is recommended that a frost thermostat be installed.

Refer to Figures 8-1 & 8-2 (as appropriate) for connection details. To protect the heating system, the frost thermostat should be sited within the house in such a place that it can detect any rise and fall in the ambient air temperature, i.e. in a room with a radiator.

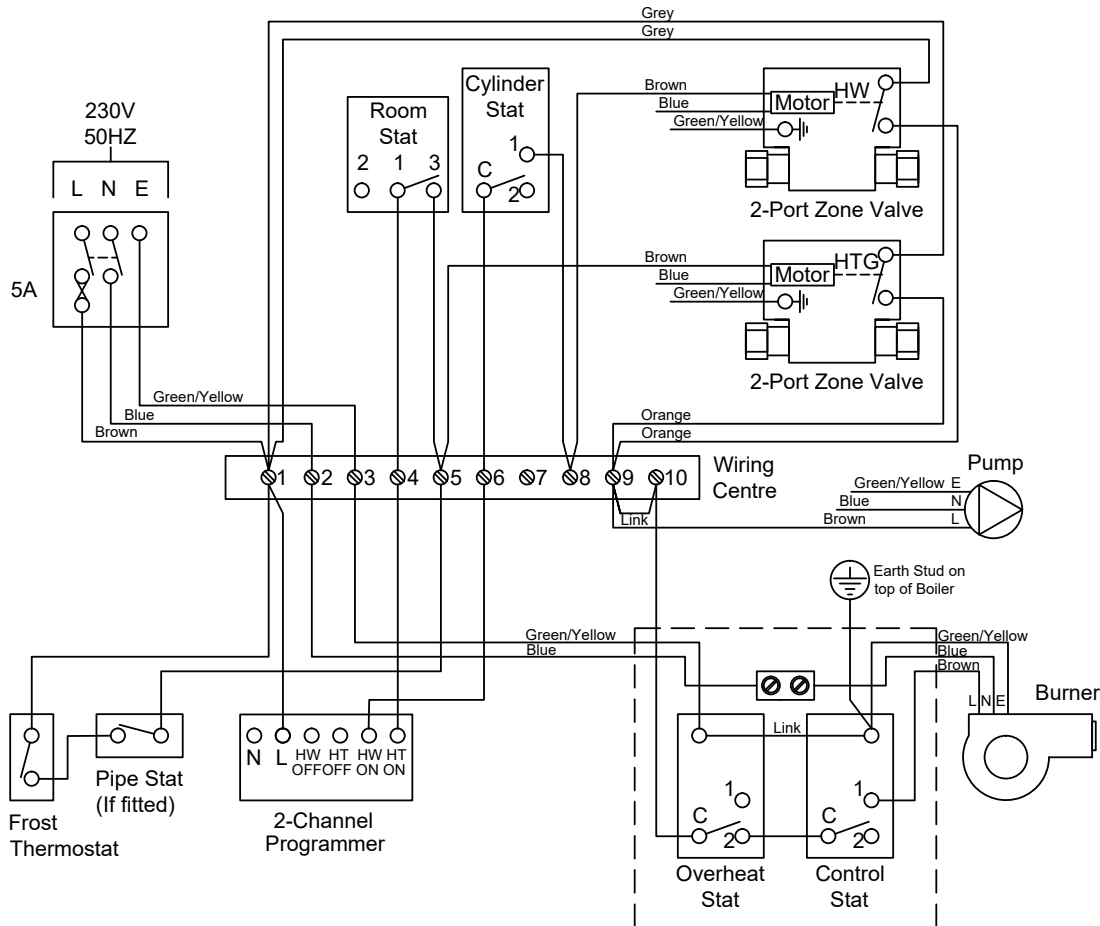
Where the frost thermostat is installed outside the house (to protect a boiler installed in an external boiler room or garage) or in an attic, it is recommended that it be used in conjunction with a pipe thermostat to avoid unnecessary and wasteful overheating of the property.

The pipe thermostat should be located on the boiler return pipe, and set to operate at 25°C.

! NOTE !

For total system protection against freezing, particularly during extended periods without electrical power, Grant recommend the use of a combined heating system antifreeze and corrosion inhibitor, used in accordance with the manufacturer's instructions.

8.4 WIRING DIAGRAMS



Refer to Figure 8-3 for connection details

Figure 8-1: 2 x 2-port valve control system

9 FLUE SYSTEM AND AIR SUPPLY

9.1 AIR SUPPLY

A sufficient permanent air supply to the boiler should be provided for the following reasons:

- For proper combustion of fuel and effective discharge of combustion products to the open air.
- For the ventilation of any confined space in which the boiler is installed to prevent overheating of the boiler and any equipment in and near the boiler.

It is essential to ensure that any ventilation openings in the property are positioned to avoid accidental blockage and also to minimise discomfort caused to the building occupants by draughts.

Further details may be obtained from BS 5410-1.

! NOTE !

For a boiler fitted in a compartment, which is ventilated as shown, no additional allowance is necessary.

Open flue - Extract fans, where needed, should be in accordance with Section 5.4.7 in BS 5410-1.

All ventilation areas given are for domestic applications and relate to the full output rating of the boiler.

For installations in older dwellings (constructed prior to the introduction of Approved Document L1A 2006) the first 5 kW of output can be ignored. For all other cases refer to BS 5410-2.

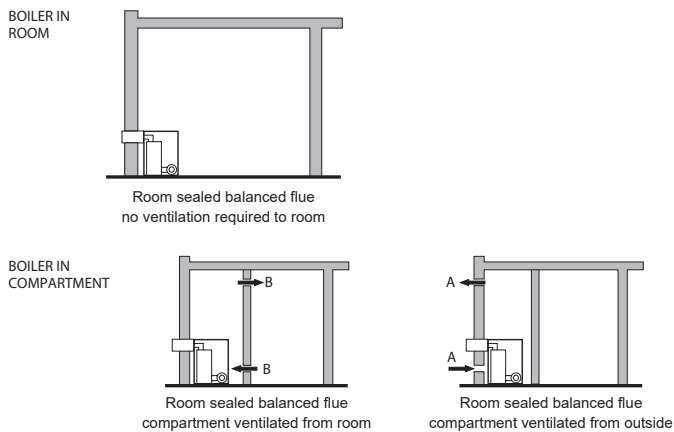


Figure 9-1: Air supply for room sealed balanced flue boilers

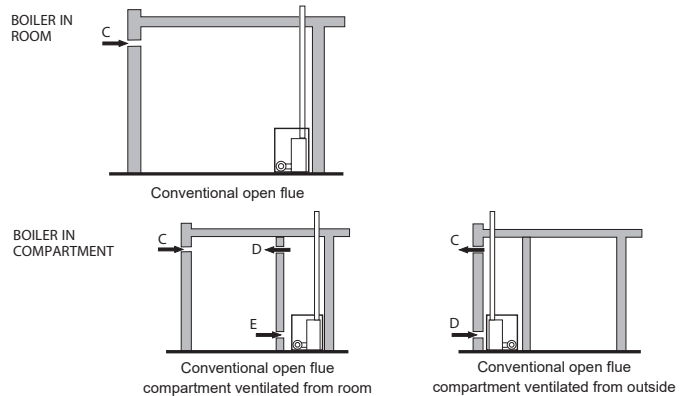


Figure 9-2: Air supply for conventional flue boilers

9.2 CONVENTIONAL FLUE SYSTEMS

! NOTE !

Under no circumstances can Grant Vortex boilers be installed with existing flue systems. Only flue systems and components suitable for wet flues should be used.

Failure to install the correct type of flue system will invalidate the guarantee.

Grant condensing boilers have high operating efficiencies and low flue gas temperatures. Care must be taken to ensure the flue system is suitable for the very low flue gas temperatures and condensate in the flue gases.

Suitable conventional flue systems are available from Grant UK.

The flue must terminate in a down draught free area, i.e. at least 600 mm above the point of exit through the roof or preferably above the ridge level.

The condensate may be allowed to run back into the boiler. A condensate drain at the base of the flue system is not required.

The high level flue terminal must be at least 600 mm from any opening into the building, and 600 mm above any vertical structure or wall less than a horizontal distance of 750 mm from the terminal.

If an existing chimney is to be used, it must be lined with a smooth bore stainless steel liner suitable for use with oil fired condensing boilers. The top and bottom of the annular space must be sealed.

Grant recommends the use of the Grant 'Orange' flue system, specifically designed for the Vortex range of condensing boilers.

The internal flue and liner diameter for all models up to 46 kW output must be 100 mm (4 in) and for the 46/58 and 58/70 models 125 mm (5 in).

The maximum vertical height (from the top of the boiler to the terminal) for the 'Orange' system is 19 metres.

Table 9-1: Ventilation areas

Output	15/21 kW		21/26 kW		26/35 kW		36/46 kW		46/58 kW		58/70 kW	
	cm ²	in ²	cm ²	in ²	cm ²	in ²	cm ²	in ²	cm ²	in ²	cm ²	in ²
Vent A	116	18	143	23	198	31	253	40	319	50	385	60
Vent B	232	36	286	46	396	62	506	80	638	100	770	120
Vent C	116	18	143	23	198	31	253	40	319	50	385	60
Vent D	232	36	286	46	396	62	506	80	638	100	770	120
Vent E	348	54	429	69	594	93	759	120	957	150	1,155	180

! NOTE !

The Grant Orange system flexible stainless steel liner is directional. The arrows marked on the liner MUST be pointing vertically upwards, following the direction of the flue gases. Failure to comply with this instruction could lead to a leakage of condensate from the flue liner.

If a rigid flue is used externally, it must be of the twin-wall type, to reduce the possibility of the condensate freezing in the flue, incorporating seals at all joints, constructed with a stainless steel inner skin and be suitably insulated and weatherproofed. The internal flue diameter for a rigid flue for all models - up to and including the 58/70 - is 100 mm (4 in).

For a rigid conventional flue system Grant recommends the use of the Grant 'Hybrid' flue system, which uses the Grant Green and Orange flue system components for this application. Refer to Section 1.3 for details.

! NOTE !

As no flue adaptor is supplied with the boiler, in order to correctly connect the hybrid system, it will be necessary to purchase the Grant CF adaptor kit (product code: CFA15/70).

If required, it is possible to use the white painted single-wall straight flue extensions, adjustable extensions and elbows from the Grant 'Orange' system for the internal section of the flue system, see Figure 9-3. These components can be fitted between the boiler connector and flue adaptor. The flue adaptor, to which the external twin-wall 'Green' flue components are connected, can therefore be situated just before the flue system passes through the wall. See Figure 9-4.

! NOTE !

Grant 'Orange' system single-wall flue components must not be used externally.

The maximum vertical height (from the top of the boiler to the terminal) for the 100 mm diameter hybrid 'Green/Orange' system is 19 metres.

Grant 'Green' twin-wall flue is recommended for externally run flues to reduce the possibility of the condensate freezing in the flue.

No part of any flue system should be made of an asbestos material; aluminium must not be used in any part of the flue.

Only stainless steel flue components should be used.

If the draught conditions are satisfactory, the flue should terminate with a standard cowl.

Refer to the locally applicable Building Regulations, BS 5410:1 and OFTEC Installation Requirements (OFTEC Technical Books 2 and 4) for further guidance on conventional flue systems.

! CAUTION !

It is important to ensure that the flue system is sealed and that condensate cannot escape. Up to 1.5 l/h of condensate can be produced in a conventional flue system.

Do not use fire cement. The use of high temperature silicone sealants is recommended.

! NOTE !

To comply with the requirements of the Building Regulations Approved Document J - conventional flue systems must have a flue data plate. A suitable data plate is supplied with the Grant Orange flue system and should be displayed next to the boiler or flue.

FLUE LINING KITS

Grant EZ-Fit Flexi Pack conventional flue system (Orange System)

A range of Flexi pack conventional flue lining kits are available from Grant UK. The packs have been specifically produced for Grant Vortex oil fired condensing boilers.

The pack includes a terminal/top plate/flexi flue adaptor, stainless steel smooth bore flexible flue liner, a rigid to flexi adaptor and a boiler flue connector.

Two diameters are available, a 100 mm for models up to 46 kW and 125 mm for models above 46 kW.

Table 9-2: Conventional flue kits

Product code	Flexi pack (Orange system)
GFKIT 6/100	100 mm diameter x 6 metre
GFKIT 6/125	125 mm diameter x 6 metre
GFKIT 8/100	100mm diameter x 8 metre
GFKIT 8/125	125mm diameter x 8 metre
GFKIT 10/100	100mm diameter x 10 metre
GFKIT 10/125	125mm diameter x 10 metre
GFKIT 11/100	100mm diameter x 11 metre
GFKIT 11/125	125mm diameter x 11 metre
GFKIT 12/100	100mm diameter x 12 metre
GFKIT 12/125	125mm diameter x 12 metre
GFKIT 14/100	100mm diameter x 14 metre
GFKIT 14/125	125mm diameter x 14 metre
GFKIT 16/100	100mm diameter x 16 metre
GFKIT 16/125	125mm diameter x 16 metre

Extensions

A range of white powder coated single wall extensions are available to connect the boiler to the flexible liner.

The nominal diameter of the extensions is 100 mm or 125 mm. Extensions are supplied with locking bands.

Table 9-3: Extensions

Product code	Extensions (Orange system)
WX 150/100	100 mm diameter x 150 mm
WX 150/125	125 mm diameter x 150 mm
WX 250/100	100 mm diameter x 250 mm
WX 250/125	125 mm diameter x 250 mm
WX 450/100	100 mm diameter x 450 mm
WX 450/125	125 mm diameter x 450 mm
WX 950/100	100 mm diameter x 950 mm
WX 950/125	125 mm diameter x 950 mm
WXA 250/100	100 mm diameter adjustable extension (235 to 300 mm)
WXA 250/125	125 mm diameter adjustable extension (235 to 300 mm)
WE 45/100	100 mm diameter 45° elbow
WE 45/125	125 mm diameter 45° elbow

! NOTE !

The rigid flue between the boiler and flexible flue liner should incorporate an adjustable section to allow inspection and cleaning of the flue system.

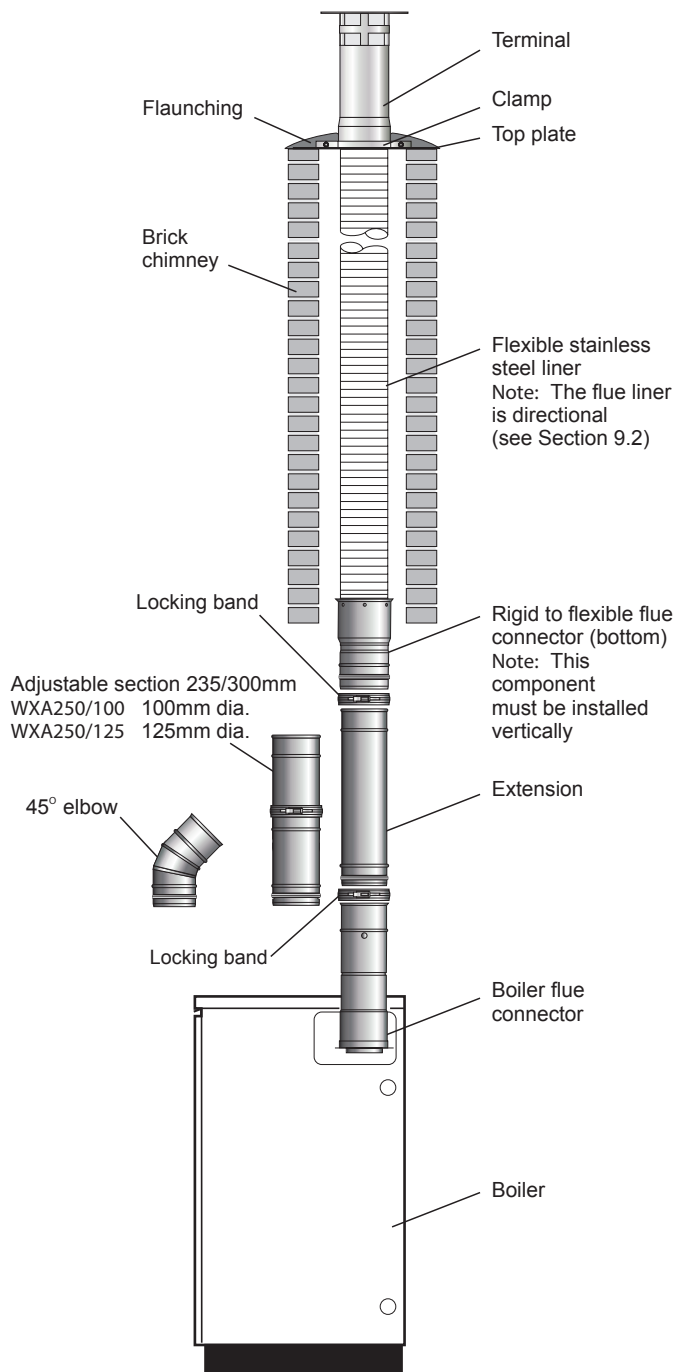


Figure 9-3: Grant Orange flue system in a typical brick chimney

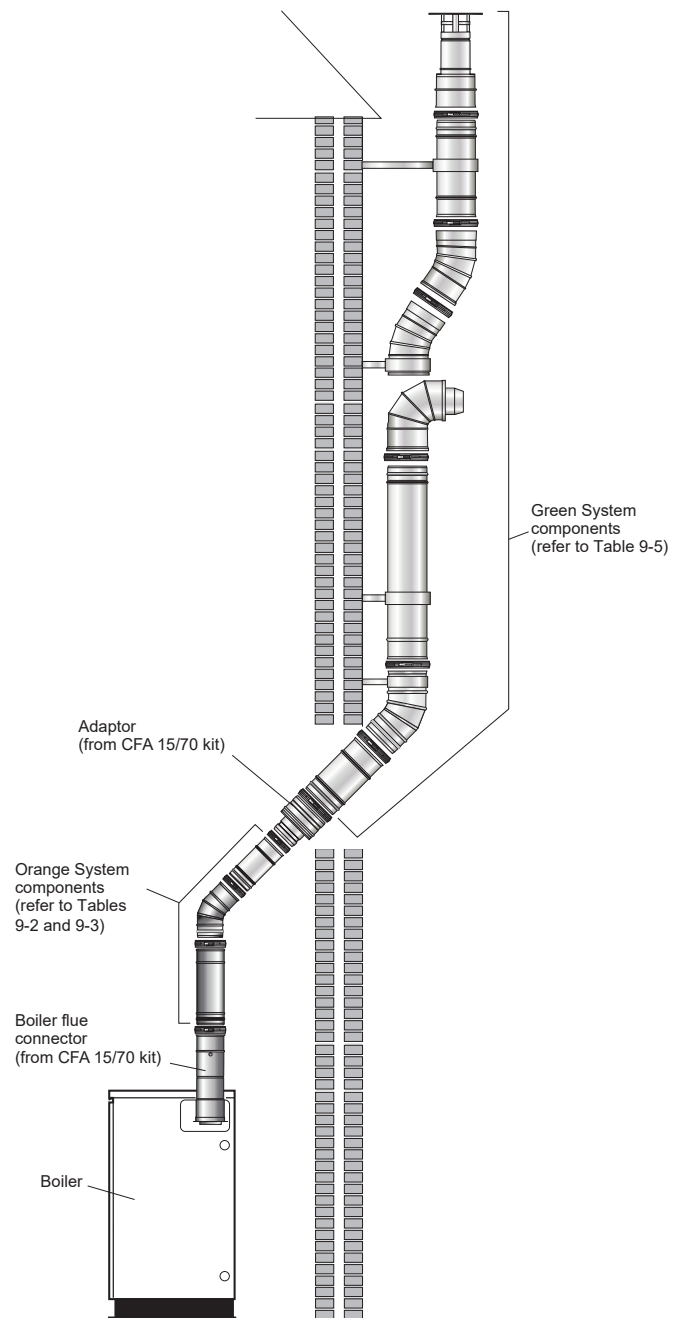


Figure 9-4: Hybrid flue system using Grant Orange and Green systems components

9.3 CONNECTING A CONVENTIONAL FLUE

If the Grant 'Orange' flue system is being used – follow the instructions supplied with the flue kit.

If the Grant 'Hybrid' system, utilising components from the Grant Green and Orange flue systems, is to be fitted to the boiler then the Grant CF adaptor kit (product code: CFA15/70) must be used – refer to both Section 1.3 and Figure 9-4.

To fit the adaptor kit, proceed as follows:

1. Fully screw the length of threaded studding (provided in the kit) into the nut located in the centre of the boiler flue outlet.
2. Fit the boiler connector (from the CF adaptor kit) over the threaded studding.
3. Position flange on to the neoprene gasket around the boiler flue outlet, ensuring that small spigot on the base of the connector is located in the hole in the centre of the neoprene gasket and that end of studding passes through the hole in the of the spacer bracket.
4. Fit washer and wing nut provided onto the end of threaded studding and secure connector in position by tightening down on wing nut – as shown in Figure 9-5.
5. Fit the flue adaptor (from the adaptor kit) into the boiler connector.

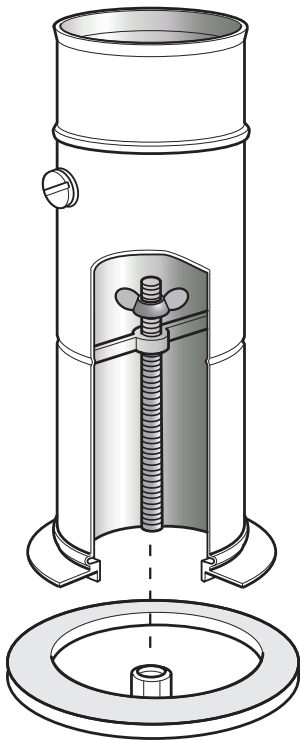


Figure 9-5: Boiler flue connector

! NOTE !

Lubricate the seal on the adaptor using the lubricant provided before attempting to fit the flue adaptor.

6. Fit the first section of flue into the flue adaptor and secure using the clamp band provided.
7. Assemble the remainder of the flue system as required, lubricating the seal on each component before fitting.

9.4 BALANCED FLUE SYSTEMS

Apart from a conventional flue, several balanced flue options are available for use with the Grant Vortex boilers.

All are suitable for use with Class C2 Kerosene.

! NOTE !

None of the flue sections in the following system can be cut.

LOW LEVEL HORIZONTAL BALANCED FLUE (YELLOW SYSTEM)

Available in Short (for single thickness brick walls) and Standard kits.

Extensions are available which extend the flue by 225 mm, 450 mm or 675 mm. (For internal use only).

90° and 45° elbows are also available. (For internal use only).

The maximum flue length - from the centre of the boiler flue outlet to the outer face of the wall - is 4 metres (with or without elbows included).

No more than 2 x 45° or 1 x 90° elbow should be fitted per system.

The low level balanced flue (Yellow system) is supplied with a stainless steel guard. This must be fitted in all circumstances to prevent objects from entering the flue outlet.

The guard must be fitted centrally over the flue terminal and securely fixed to the wall.

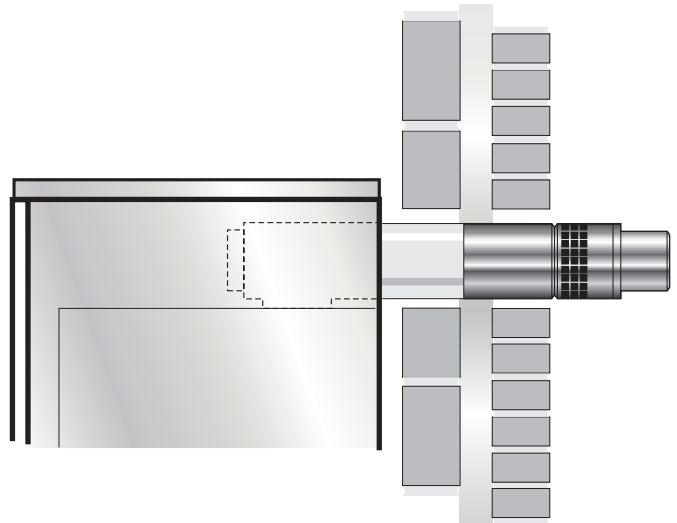


Figure 9-6: Low level balanced flue

PLUME DIVERTER KIT FOR LOW LEVEL BALANCED FLUE (YELLOW SYSTEM)

Should the low level balanced flue supplied with the boiler be discovered to cause a plume nuisance after its installation, a plume diverter kit is available to purchase from Grant UK for the purpose of re-directing the flue gases to a higher level (according to the minimum clearances shown in Figure 9-13).

The plume diverter kit has been designed to be retrofitted to an existing yellow system low level balanced flue by attaching directly to the low level terminal supplied with the boiler.

This kit is available in two sizes, product codes as follows:

- GDPA90B - suitable for installations of up to 26kW (maximum vertical length of 2.08m)
- GDPA200B - suitable for installations ranging from 26-70kW. (maximum vertical length of 2.14m)

While every effort has been made to make this retrofit as simple as possible for the installer, it is necessary for the installer to drill an 8mm hole in the side of the existing flue terminal to ensure that the condensate produced by the flue gases during normal operation drain back into the boiler.

It is also necessary for the installer to spot drill two 3mm holes in the existing flue terminal. With the plume diverter starter elbow in its final position on the existing flue terminal, use the holes in either side of this elbow as a guide to drill the two holes in the terminal and fix the elbow to the existing terminal by driving one of the two self-tapping screws provided into each hole.

More detailed installation instructions for this system can be found in the fitting instructions supplied with the kit.

Please see Figure 9-7 for a visual representation of the contents of the plume diverter kit.

A series of extensions and other accessories are available for use with this kit. Please contact Grant UK for further information.

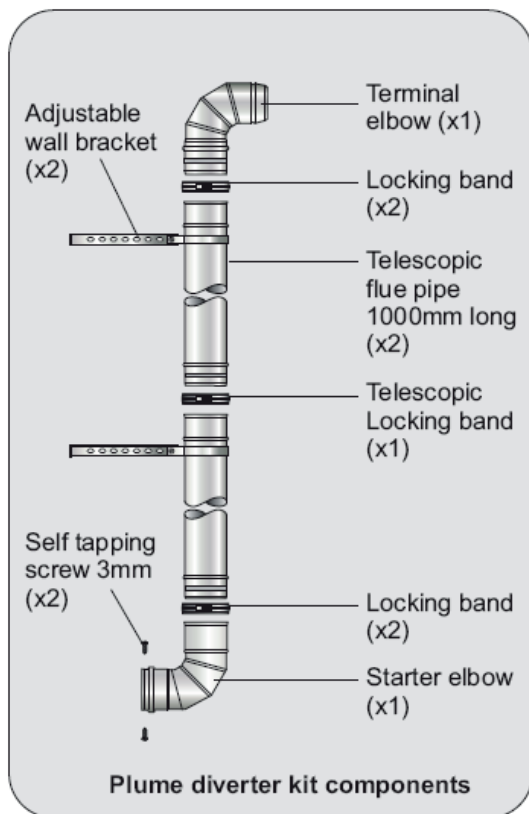


Figure 9-7: Yellow system Plume Diverter Kit

VERTICAL / HIGH LEVEL (HORIZONTAL) BALANCED FLUE (WHITE SYSTEM)

VERTICAL SYSTEM

This version of the White system allows the flue to rise vertically from the boiler to exit vertically through the roof by utilising a vertical terminal with an integrated cowl.

The maximum flue length for this system - from the top of the boiler flue outlet to the terminal - is 12 metres for all Grant Vortex boilers.

HIGH LEVEL (HORIZONTAL) SYSTEM

This version of the White system allows the flue to rise vertically within the building before exiting horizontally through the wall by utilising a terminal with a 90° bend.

The maximum flue length for this system - from the top of the boiler flue outlet to the outer face of the wall - is 10 metres for all Grant Vortex boilers.

Refer to Figure 9-8 for a visual representation of the High Level White system.

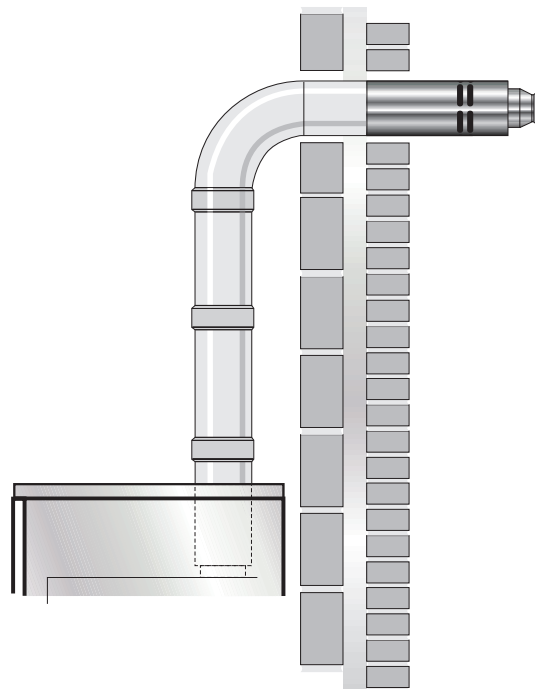


Figure 9-8: High level balanced flue

The following items are additionally available for BOTH versions of the White system:

- Extensions to extend the flue by 225 mm, 450 mm or 950 mm.
- An adjustable extension of 275 to 450 mm.
- A 45° elbow - No more than 6 x 45° elbows should be fitted per system. Each elbow reduces the overall maximum length of the system by 1 metre.

Two types of locking band are supplied with each kit, as follows:

- **Type 1.** A white painted band - for connecting fixed joints together, i.e. any joint that does not slide.
- **Type 2.** A white painted band - to cover the sliding joint on the adjustable (telescopic) section.

! NOTE !

The locking band for the adjustable section is labelled for easy identification.

Refer to Table 9-4 for a list of White system components and their product codes.

Table 9-4: White system components - product codes

Item	15/21 and 21/26 models	26/35, 36/46, 46/58 and 58/70 models
1.2 metre high level adjustable flue kit c/w 90° elbow and terminal	HLK015090	HLK0290200
Adjustable vertical 3 metre flue kit c/w terminal and storm collar	VTK055090	VTK0690200
225 mm extension	EXTK31225/90	EXTK32225/200
450 mm extension	EXTK09450/90	EXTK10450/200
950 mm extension	EXTK11950/90	EXTK12950/200
275 to 450 mm adjustable extension	EXTK13ADJ/90	EXTK14ADJ/200
45° elbow	ELBK2145/90	ELBK2245/200
Pitched roof flashing - aluminium (VTK055090 and VTK0690200)	VTMF200	
Pitched roof flashing - lead	VTK25P90 (includes collar)	VTK26P240 (no collar) VTK26P200/X (includes collar)
Flat roof flashing - aluminium	VTK27F90	VTK28F200
Wall bracket	BRK2990	BRK30200

FLEXIBLE VERTICAL BALANCED FLUE (RED SYSTEM)

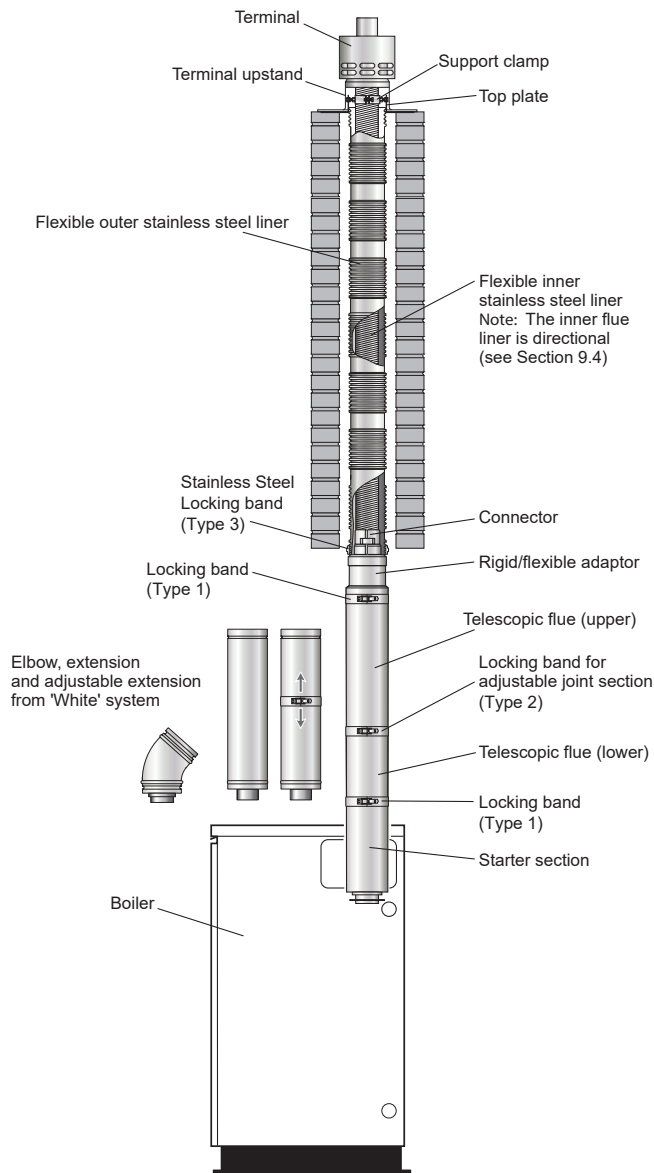


Figure 9-9: Red system balanced flue (15/21 and 21/26 only)

This is a flexible vertical balanced flue system (for the 15/21 and 21/26 models only) designed to be fitted inside an existing masonry chimney. See Figure 9-9.

It basically consists of three sections:

- Concentric white painted flue pipe connected to the boiler.
- The vertical concentric flexible flue consists of a flexible stainless steel inner flue liner (directional) inside a flexible stainless steel outer flue liner.
- Terminal assembly for chimney top mounting.

The flue pipe seals are factory fitted and must be lubricated with the lubricant supplied before assembly.

The Red system is supplied as a separate kit. Flue extensions and 45° elbows from the White system may be used to extend the flue between the boiler and the flexible section of the system.

The maximum vertical straight length of flue, from the top of the boiler to the top of the terminal, is 20 metres – using no more than four 45° elbows. Deduct 1 metre of straight flue length for every elbow used.

! NOTE !

If the flexible liners must pass around an offset inside the chimney, deduct two metres of straight flue length to compensate for this.

The Grant Red system flexible stainless steel liner is directional. The arrows marked on the inner liner **MUST** be pointing vertically upwards, following the direction of the flue gases. Failure to comply with this instruction could lead to a leakage of condensate from the flue liner.

Flue extensions cannot be cut, use adjustable extensions where required.

Three types of locking band are supplied with the kit, as follows (Refer to Figure 9-9):

- **Type 1.** A white painted band - for connecting the white painted flue sections that butt together, i.e. the joints with the starter section and the rigid/flexible adaptor.

! NOTE !

Two of this type of locking band are supplied in the kit. Refer to Figure 9-9.

A single locking band of this type is supplied with every additional elbow, extension kit or adjustable extension kit used.

- **Type 2.** A white painted band - to cover the sliding joint on the white painted adjustable (telescopic) section.

! NOTE !

The locking band for the adjustable section is labelled for easy identification.

A single locking band of this type is supplied with every additional adjustable extension kit used.

- **Type 3.** An unpainted stainless steel band - to secure the outer of the two stainless steel flue liners to the white painted rigid/flexible adaptor.

The flue kit includes a Black coated terminal with upstand and is designed to be fixed (using the screws provided) to the top of a masonry chimney.

The flue system may be offset using 45° elbows (product code: ELBK2145/90 models up to 26 kW output).

No more than a maximum of four elbows should be used per system.

EXTERNAL BALANCED FLUE (GREEN SYSTEM)

Where it is not practical to use a low level (Yellow system) or internal high level/vertical (White system) balanced flue, the boiler can be fitted with an external vertical/high level flue (Green system).

See Figure 9-10.

The Starter kit fits to the boiler in the same way as a low level balanced flue (Yellow system) and the external Tee allows the connection of a twin wall insulated flue pipe and a combustion air inlet - providing a room sealed flue system.

The external system can terminate at either high level or vertically (above roof level) as required.

Up to two 45° elbows can be used in the vertical direction to offset the flue around obstacles.

See Figure 9-10.

The minimum dimensions for locating the terminal from building features (windows, doors, etc.) are shown in Figure 9-13.

The terminal must be positioned so as to avoid products of combustion accumulating in stagnant pockets around the buildings or entering into buildings. Care should be taken that the plume from condensed flue gases does not cause a nuisance.

The components listed on the following page for the external flue (Green system) components are available from Grant UK.

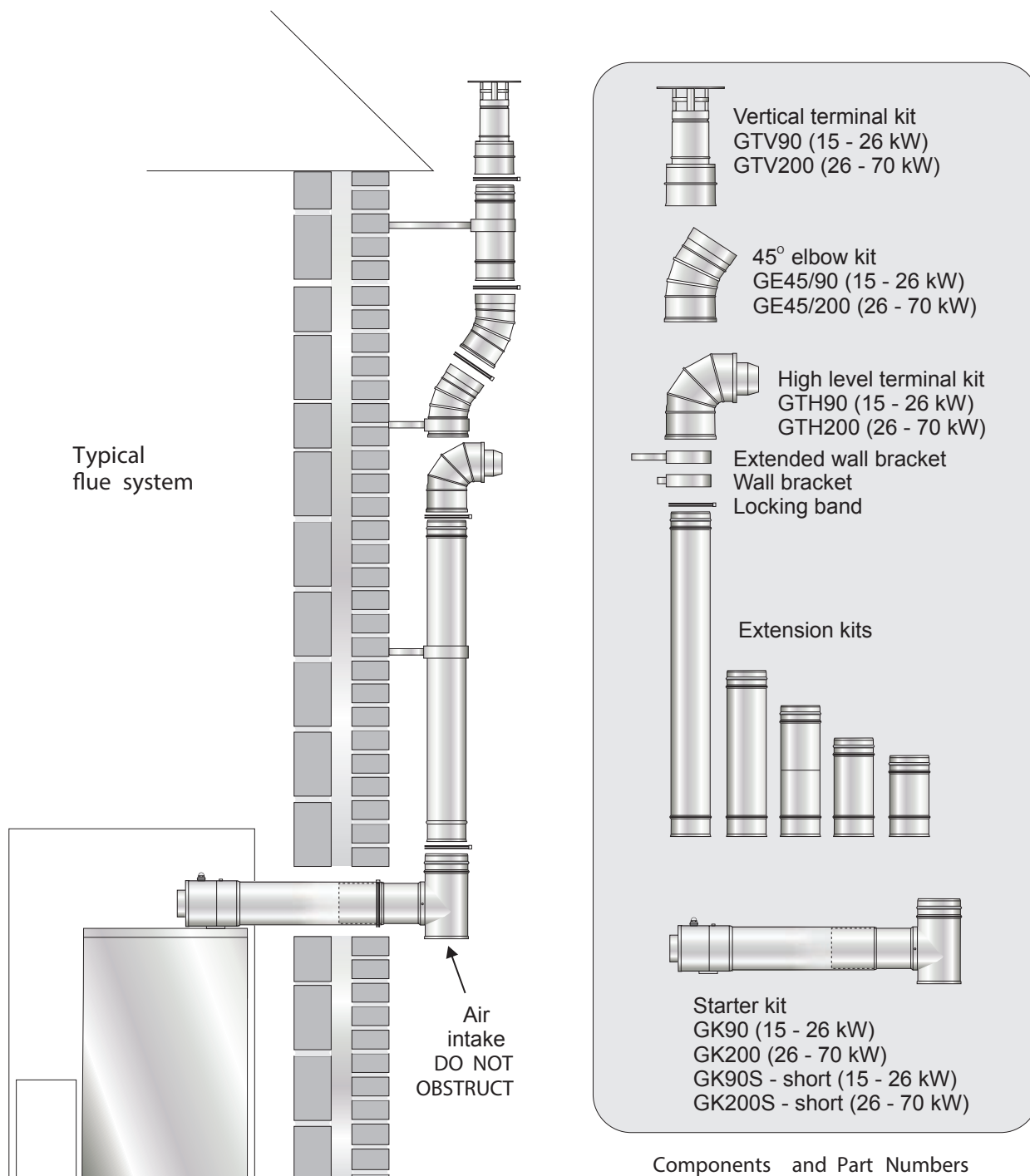


Figure 9-10: External balanced flue (green system)

Table 9-5: Green system components - product codes

Item	15/21 and 21/26 models	26/35, 36/46, 46/58 and 58/70 models
Standard starter kit (stainless steel)	GK90B	GK200B
Short starter kit (stainless steel)	GK90SB	GK200SB
150 mm extension	GX150/90B	GX150/200B
250 mm extension	GX250/90B	GX250/200B
450 mm extension	GX450/90B	GX450/200B
950 mm extension	GX950/90B	GX950/200B
195 - 270 mm adjustable extension	GXA250/90B	GXA250/200B
45° elbow	GE45/90B	GE45/200B
Straight terminal	GTL90B	GTL200B
High level 90° terminal	GTH90B	GTH200B
Vertical terminal	GTV90B	GTV200B
Wall bracket - standard	GWB90B	GWB200B
Wall bracket - extended	GEB90B	GEB200B

9.5 PREPARE THE WALL

9.5.1 LOW LEVEL BALANCED FLUE

If the boiler is to be used with a low level balanced flue (Yellow system) make the hole in the wall for the flue as shown in Figure 9-11.

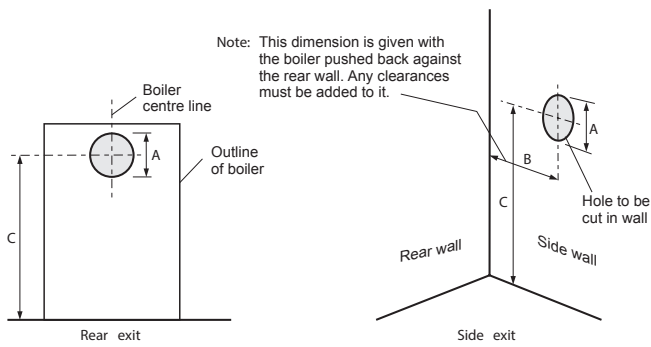


Figure 9-11: Flue hole dimensions and position for low level system

Table 9-6: Low level balanced flue hole cutting dimensions

Model	Dimension (mm)		
	A (dia.)	B	C
15/21, 21/26	127	120	762
26/35	162	120	777
36/46	162	120	784
46/58, 58/70	162	120	1,106

! NOTE !

Dimension A given in Table 9-6 includes an extra 10 mm over the size of the terminal to provide clearance for fitting.

! NOTE !

Dimension C given in Table 9-6 includes the depth of the neoprene gasket on top of the heat exchanger when fully compressed to 2mm.

9.5.2 HIGH LEVEL AND VERTICAL BALANCED FLUE

If the boiler is to be used with the high level balanced flue (White system) make the hole in the wall as shown in Figure 9-12.

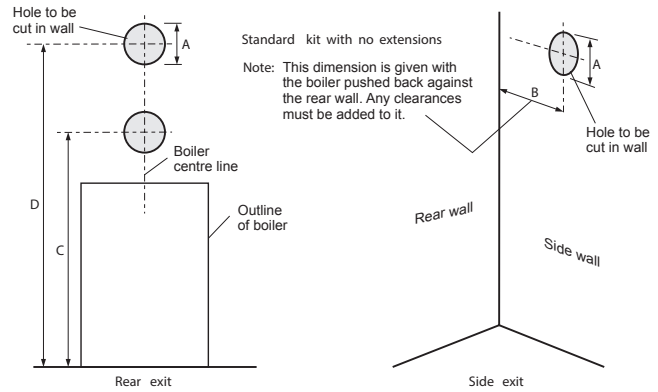


Figure 9-12: Flue hole dimensions and position for high level system

Table 9-7: High level balanced flue hole cutting dimensions

Model	Dimension (mm)			
	A (dia.)	B	C	D
15/21, 21/26	175	120	1,227*	1,737 - 2,132**
26/35	200	120	1,272*	1,707 - 2,007**
36/46	200	120	1,279*	1,714 - 2,014**
46/58, 58/70	200	120	1,601*	2,036 - 2,336

* Dimension C for starter section and elbow/terminal only

** Dimension D starter section, adjustable extension and elbow/terminal from white system only

! NOTE !

Dimension A given in Table 9-7 includes an extra 10 mm over the size of the terminal to provide clearance for fitting.

! NOTE !

Dimensions C and D given in Table 9-7 include the depth of the neoprene gasket on top of the heat exchanger when fully compressed to 2mm.

Fitting instructions for the high level balanced flue and vertical balanced flue are supplied with the flue kits.

Adjustable extensions

The adjustable extensions are telescopic.

The wall terminal section is adjustable and is suitable for a wall thickness of 215 mm to 450 mm.

Simply adjust to the required length using a twisting motion. The outer pipes must overlap by a minimum of 25 mm.

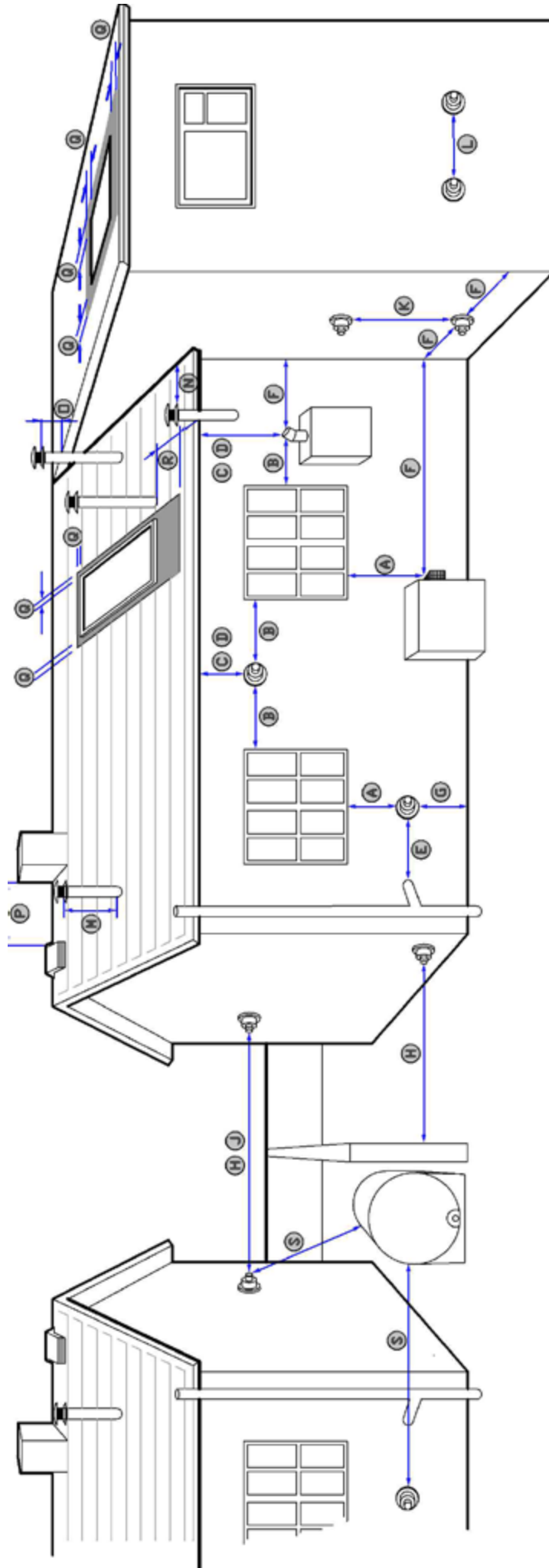


Figure 9-13: Flue clearances

Table 9-8: Flue clearances

Ref	Location of outlet	Minimum distance (mm)	
		Pressure jet	Condensing
A	Directly below an opening, air brick opening, opening window, etc.	600	1,000 **
B	Horizontally to an opening, air brick opening, opening window, etc.	600	1,000 **
C	Below a gutter, eaves or balcony with protection	75 *	1,000 **
D	Below a gutter, eaves or balcony without protection	600	1,000 **
E	From vertical sanitary pipework	300	
F	From an internal or external corner	300	
G	Above ground or balcony level	300	
H	From a surface or boundary facing the terminal	600	2,500 **
J	From a terminal facing the terminal	1,200	
K	Vertically from a terminal on the same wall	1,500	
L	Horizontally from a terminal on the same wall	750	
M	Above the highest point of an intersection with the roof	600	
N	From a vertical structure to the side of the terminal	750	
O	Above a vertical structure less than 750 mm from the side of the terminal	600	
P	From a ridge terminal to a vertical structure on the roof	1,500	
Q	Above or to the side of any opening on a flat or sloping roof	300	
R	Below any opening on a sloping roof	1,000	
S	From oil storage tank (Class 1)	1,800 ***	

* A heat shield at least 750 mm wide must be fitted to provide protection of combustible material.

** Clearances required by BS 5410-1:2019 to alleviate the effect of plume nuisance. If a risk assessment shows that there will be no impact from pluming, then the 'pressure jet' figure could apply - seek confirmation from Local Authority Building Control.

*** Seek guidance from OFTEC Book 3 (Oil Storage and Supply).

NOTES

- Appliances burning class D fuel have additional restrictions. Refer to BS 5410-1:2019.
- Vertical structure in N, O and P includes tank or lift rooms, parapets, dormers, etc.
- Terminating positions A to L are only permitted for appliances that have been approved for low level flue discharge when tested in accordance with BS EN 303-1, OFS A100 or OFS A101.
- Terminating positions should be at least 1.8 metres from an oil storage tank (Class 1) unless a wall with at least 30 minutes fire resistance and extending 300 mm higher and wider than the tank is provided between the tank and the terminating position.
- Where a flue is terminated less than 600 mm away from a projection above it and the projection consists of plastics or has a combustible or painted surface, then a heat shield of at least 750 mm wide should be fitted to protect these surfaces.
- If the lowest part of the terminal is less than 2 metres above the ground, balcony, flat roof or other place to which any person has access, the terminal should be protected by a guard.
- Notwithstanding the dimensions given above, a terminal should not be sited closer than 300 mm to combustible material. In the case of a thatched roof, double this separation distance should be provided. It is also advisable to treat the thatch with a fire retardant material and close wire in the immediate vicinity of the flue.
- A flue or chimney should not pass through the roof within the shaded area delineated by dimensions Q and R.
- Where protection is provided for plastics components, such as guttering, this should be to the standard specified by the manufacturer of the plastics components.
- Terminals must not be sited under car ports.
- Terminals at low levels (terminals under 2.1 metres) have more restrictive recommendations and should not be positioned near public footways, frequently used access routes, car parking spaces less than 2.5 metres from the terminal or patio's (hard surface area).

Further guidance can be obtained from BS 5410-1:2019, OFTEC Book 4 (Installation) and Approved Document J.

Grant UK flue products are fully compliant with the CE (Communauté Européenne/European Community) standards having undergone rigorous product testing.

10 COMMISSIONING

To ensure safe and efficient operation, it is essential that a Grant Vortex boiler is commissioned as detailed in the following section.

10.1 BEFORE SWITCHING ON

Ensure the boiler is isolated from the electrical supply that all system controls are set to OFF.

THERMOSTATS

1. Check that both the high limit thermostat and control thermostat phials are correctly located in their respective pockets. Refer to Figures 5-4, 5-5 or 5-6 as required.
2. Check the condition of both thermostat capillaries; that they are not damaged, broken, kinked or crushed.

HEAT EXCHANGER

Check the baffles and spiral turbulators.

1. To access these first remove the upper front panel. Unscrew and remove the two screws located on either side of the panel, just below the overhang. Refer to Figure 10-1.

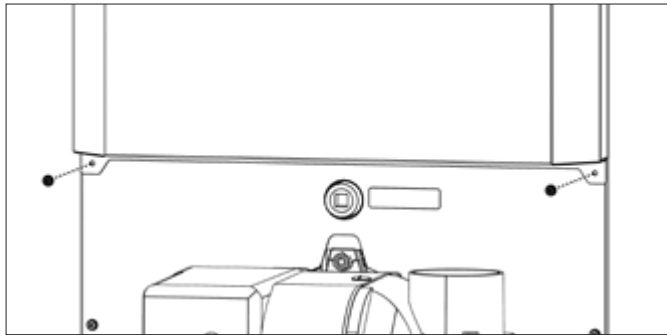


Figure 10-1: Removing the two screws (15/21 model)

2. Lift the upper front panel up and off the boiler. Refer to Figure 10-2.

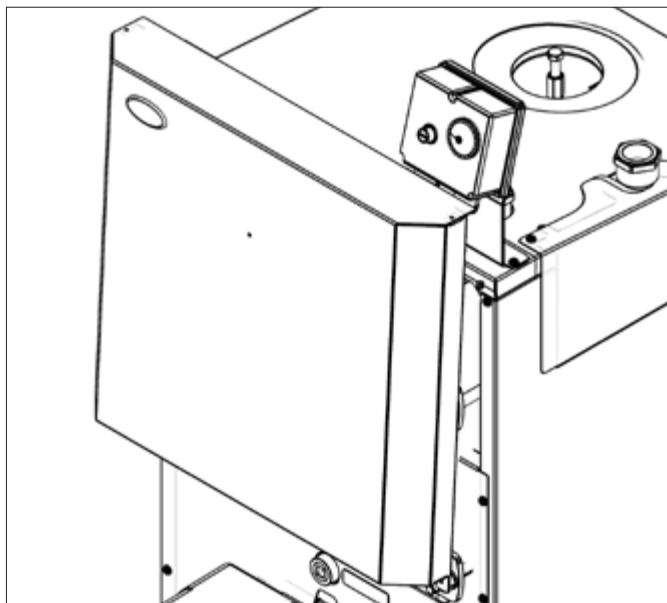


Figure 10-2: Removing the upper front panel (15/21 model)

3. Unscrew and remove the nuts and washers securing the front cleaning door. Remove the door from the boiler - take care as it is HEAVY! Refer to Figure 10-3.

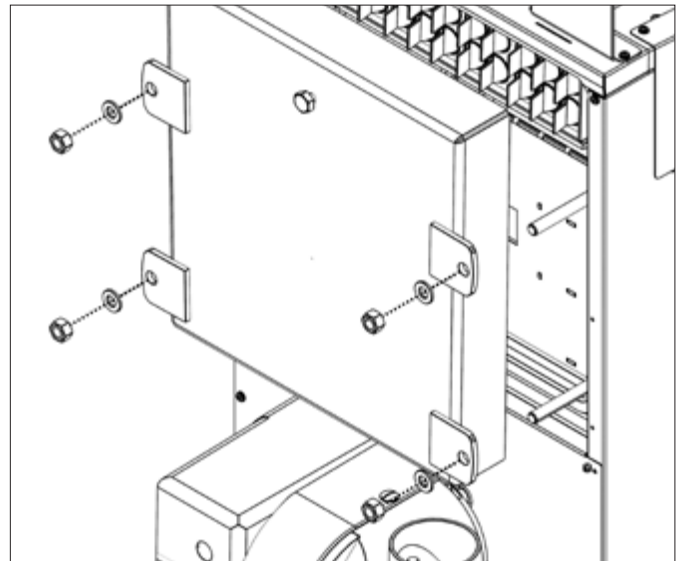


Figure 10-3: Removing the front cleaning door (26/35 model)

4. Check that all the spiral turbulators are in position and that all the ends are vertical. Refer to Figure 10-4.

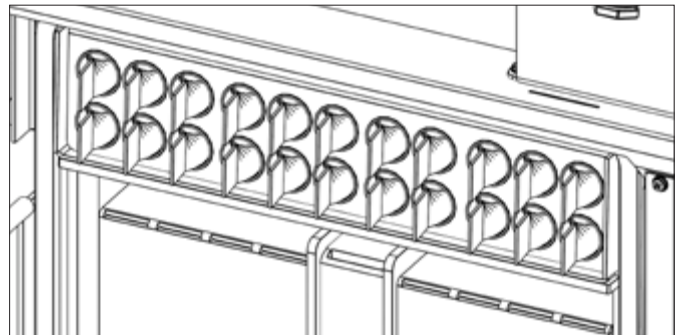


Figure 10-4: Spiral turbulators (26/35 model)

5. Check that the baffles are in position. Refer to Figures 11-1, 11-2, 11-3, 11-4 and 11-5 as required.
6. Re-fit the cleaning door and check it is fitted correctly and that a good seal is made.
7. Replace the upper front panel and secure using the two screws previously removed.

BURNER

1. Unscrew the burner fixing nut (located at the top of the mounting flange) and remove the burner from the boiler.
2. Check/adjust the burner settings as described in Sections 10.2 or 10.3.
3. Re-fit the burner to the boiler and tighten the fixing nut. DO NOT OVERTIGHTEN!

HEATING SYSTEM

1. Check that the water system has been vented (and pressurised if sealed system) and there are no leaks.
2. Check that all system controls are calling for heat and turn the boiler thermostat to maximum.

AIR SUPPLY

1. Ensure the flexible air tube is connected to both the burner and flue system (on balanced flue models only).
2. Check that the boiler has a sufficient permanent air supply. Refer to Section 9.1.

10.2 BURNER SETTINGS: RDB2.2 BX BURNERS

FOR 15/21, 21/26, 26/35 AND 36/46 MODELS

With the burner removed from the boiler:

1. Unscrew and remove the two screws holding the air intake spigot to the top of the air inlet cover.
2. Remove and discard the air intake spigot and gasket.
3. Fit the slotted air intake (provided loose with the boiler) to the top of the air intake cover and secure using one of the two screws previously removed.
4. Remove the burner head. Refer to Figure 10-5. Loosen the three fixing screws (1) and remove head (2) from burner.

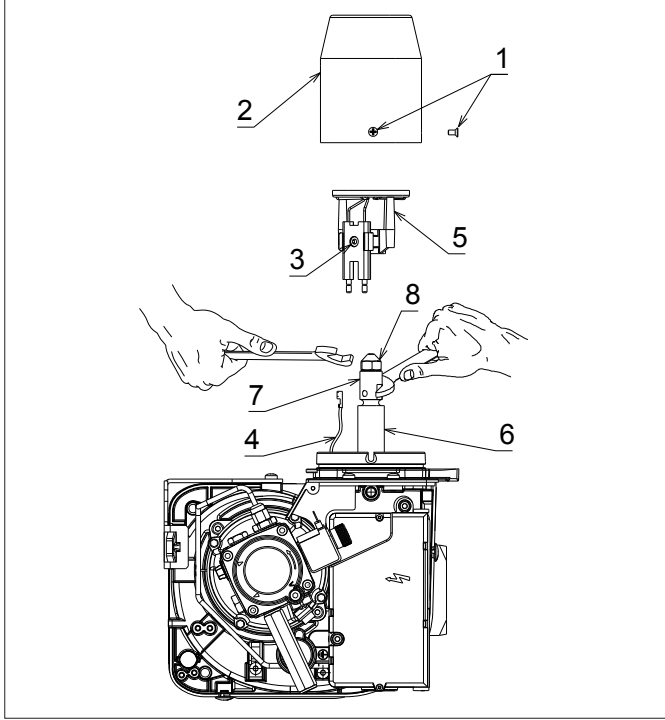


Figure 10-5: Burner head, recirculation tube (if fitted) diffuser and nozzle holder

5. Check the nozzle is correct for the required boiler output. Refer to Table 2-2 for the correct nozzle size and type for the required boiler output.
6. If the nozzle needs to be replaced - remove the diffuser/electrode assembly. Refer to Figure 10-5.
 - Using a 4 mm Allen key, loosen the diffuser fixing screw (3) on the electrode assembly.
 - Lift diffuser/electrode assembly (5) up and off the nozzle holder.
 - Disconnect both ignition leads (4) from the electrodes.
7. Use a 16 mm spanner to remove/re-fit the nozzle, whilst holding the nozzle holder using a 19 mm spanner.

! CAUTION !

The use of an ill-fitting spanner will damage the nozzle and could lead to an incorrect flame pattern and poor combustion.

! NOTE !

Ensure that the nozzle is securely tightened so that it does not leak but DO NOT OVER TIGHTEN!

8. Re-fit the diffuser/electrode assembly. Refer to Figure 10-5.
 - Reconnect ignition leads (4) to electrodes.
 - Re-fit the diffuser/electrode assembly (5) onto the nozzle holder lining up the fixing screw with the recess in the nozzle holder.
 - Ensure diffuser assembly is fitted down hard onto the shoulder on the nozzle holder.

- Tighten the fixing screw (3) to secure the diffuser/electrode assembly in place on the nozzle holder.

! NOTE !

Do not overtighten the fixing screw as this may damage the electrode insulator.

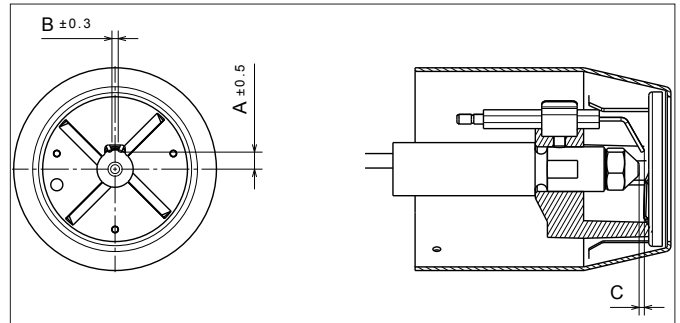


Figure 10-6: Ignition electrode settings

Model	A	B	C
15/21, 21/26	7	2.5	2.5 - 3
26/36, 36/46	4.5	3	2 - 2.5

9. Check/adjust electrode setting. Refer to Figure 10-6.
10. Re-fit the burner head. Refer to Figure 10-5.
 - Locate the head fixing screws (1) in the countersunk slots in the burner collar.
 - Check that the small oil drip hole (on the head) is pointing downwards.
 - Tighten the three screws (1) to secure the head (2) in position on the burner.
11. Adjust the diffuser position. Refer to Figure 10-7.

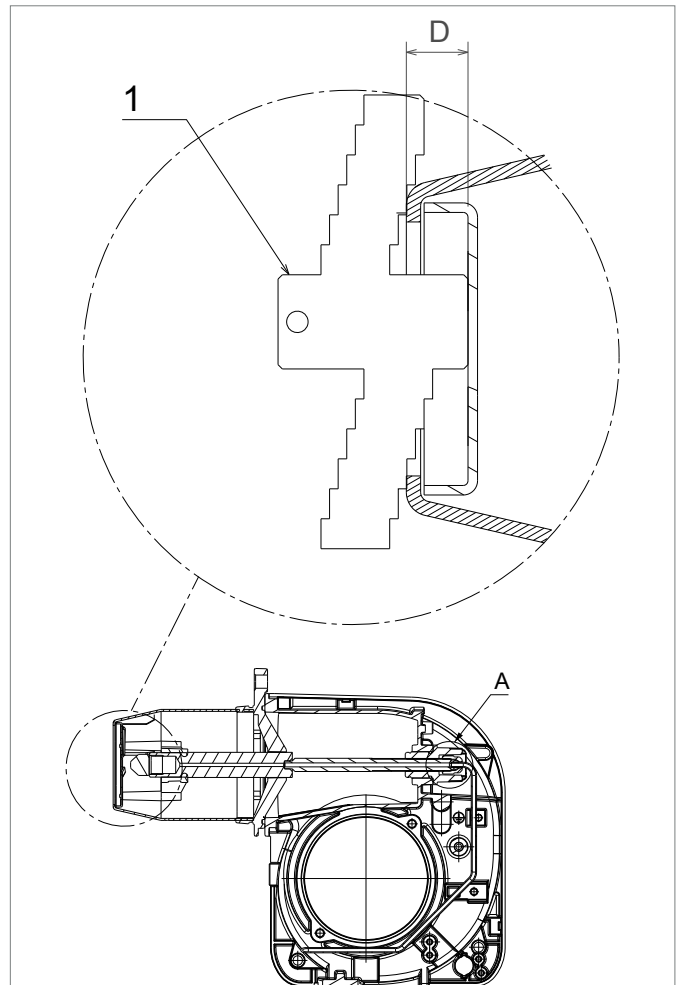


Figure 10-7: Riello RDB 2.2 BX diffuser position and gauge plate

! NOTE !

The distance between the end of the burner head and the front face of the diffuser (D) MUST be correctly set for the burner to operate correctly.

- Refer to Table 2-2 for the required distance (head setting) for the boiler output required.
- Check the distance D using the gauge plate supplied with the boiler.
- To use the gauge plate:
 - Position the gauge plate on the burner head as shown in Figure 10-7.
 - Locate the gauge plate with the correct steps (i.e. the two marked with the required distance D) resting on the edge of the burner head.
 - Check the gauge plate is at 90° to the end of the burner head and is positioned at the full diameter of the head.
 - If distance D is correct, the tongue of the gauge plate should just make contact with the diffuser with BOTH steps still in contact with the edge of the burner head.
 - If the steps are not in contact with the edge of the burner head when the tongue of the gauge plate is touching the diffuser, the diffuser must be 'opened' (see below).
 - If the tongue does not reach the diffuser when the steps are in contact with the edge of the burner head, the diffuser must be 'closed' (see below).
- To adjust the diffuser position:
 - If necessary, adjust distance D using the black adjustment knob located around the oil supply pipe on the front of the burner. Refer to item A (Figure 10-7). Re-check distance D using the gauge plate, as described above.
 - For easier access to the adjustment knob, pull the photocell out from the burner housing.
 - To increase distance D (to open the diffuser): rotate the knob clockwise - indicated as '+' on the knob.
 - To decrease distance D (to close the diffuser): rotate the knob anti-clockwise - indicated as '-' on the knob.

! NOTE !

One full rotation of the adjustment knob is approximately 1mm of diffuser movement.

! NOTE !

It is essential that the final position of the diffuser is checked, using the gauge plate provided with the boiler and the diffuser adjusted as necessary to achieve the required distance D.

12. For Vortex Boilerhouse 15/21 and 21/26 models only:
Check the burner air adjuster disc is correctly set. Refer to Section 10.4.

10.3 BURNER SETTINGS: RDB3.2 BURNERS

FOR 46/58 AND 58/70 MODELS

With the burner removed from the boiler:

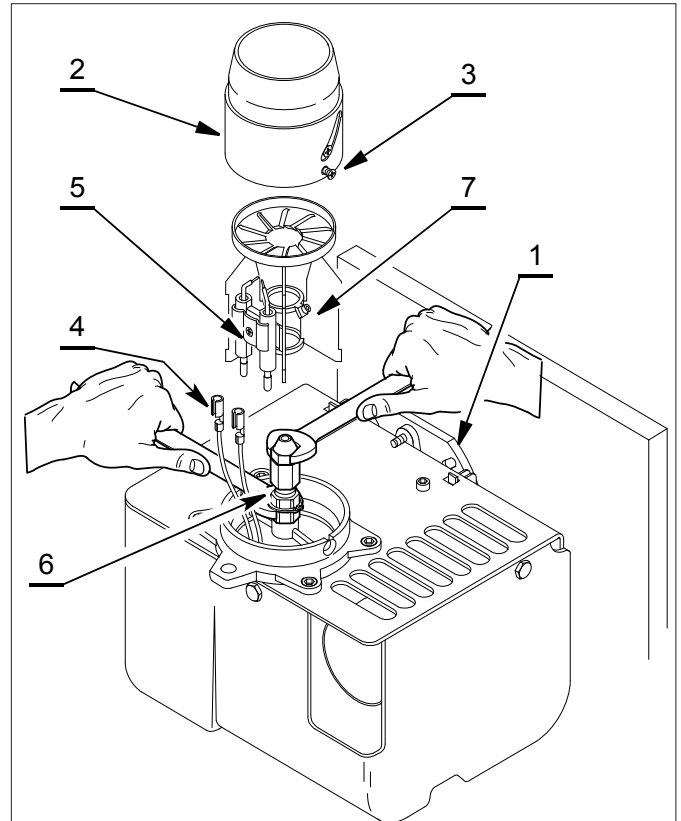


Figure 10-8: Riello RDB 3.2 burner head, diffuser and nozzle holder

1. Unscrew and remove the two screws holding the air intake spigot to the top of the air inlet cover.
2. Remove and discard the air intake spigot and gasket.
3. Fit the slotted air intake (provided loose with the boiler) to the top of the air intake cover and secure using one of the two screws previously removed.
4. Remove the burner head. Refer to Figure 10-8. Loosen both fixing screws (3) and remove head from burner (2).
5. Check the nozzle is correct for the required boiler output. Refer to Table 2-2 for the correct nozzle size and type for the required boiler output.
6. If the nozzle needs to be replaced - Remove the diffuser/ electrode assembly. Refer to Figure 10-8.
 - Loosen the diffuser clamp screw (7) and remove the diffuser/electrode assembly from the nozzle holder (6).
 - Disconnect both ignition leads (4) from the electrodes.
7. Use a 16mm spanner to remove/re-fit the nozzle, whilst holding the nozzle holder using a 17mm spanner.

! CAUTION !

The use of an ill-fitting spanner will damage the nozzle and could lead to an incorrect flame pattern and poor combustion.

! NOTE !

Ensure that the nozzle is securely tightened so that it does not leak but DO NOT OVER TIGHTEN!

8. Reconnect ignition leads to electrodes.
9. Re-fit the diffuser/electrode assembly to the nozzle holder.
10. Refer to figure 10-8. Slide diffuser (5) along the nozzle holder (6) until hard against the stop and tighten diffuser clamp screw (7).

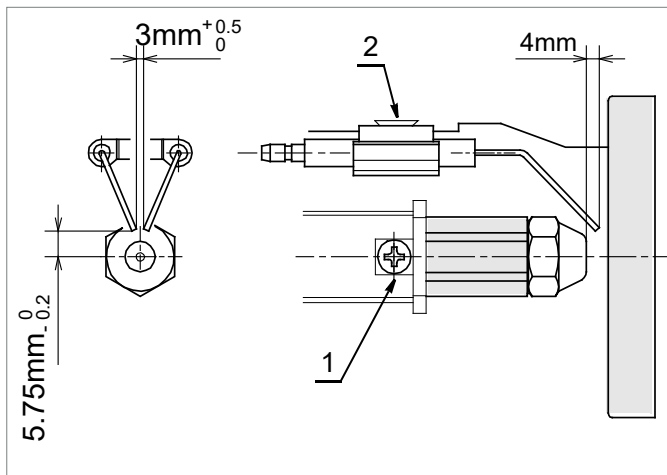


Figure 10-9: Ignition electrode settings

11. Check/adjust the electrode assembly to give the correct gap (4mm) between the nozzle and electrodes. Refer to Figure 10-9.
 - To adjust the electrode position:
 - Loosen the electrode clamp screw.
 - Slide the electrode assembly to give the correct gap of 4mm.
 - Tighten the electrode clamp screw.
12. Re-fit the burner head. Refer to Figure 10-8.
 - Locate the head fixing screws in the countersunk slots in the burner collar.
 - Tighten the two screws (3) to secure the head (2) in position on the burner.
13. Check the combustion head setting.
 - The correct head setting depends on the required output of the boiler. Refer to Table 2-2
 - This should be set to '0' in all cases except when the 58/70 is set to maximum (70kw) output.
 - In this case the head is set to '4' (i.e. on the 4th line). Refer to Figure 10-10.
14. To adjust the head setting (if required):
 - Loosen the two screws in the curved slots in outer ring of the head (NOT the two head fixing screws). Refer to Figure 10-10.
 - Rotate the end of the burner head until either '0' or the 4th line, as required.
 - Tighten the two screws to fix the head in the required position.

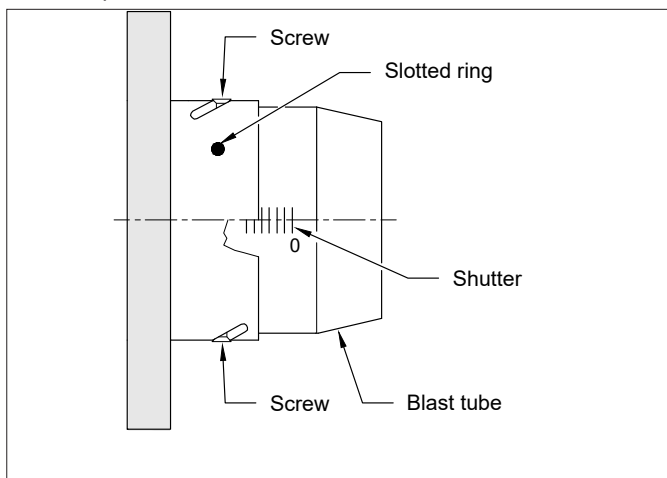


Figure 10-10: Riello RDB 3.2 combustion head adjustment

10.4 AIR ADJUSTER DISC: 15/21 AND 21/26 MODELS ONLY

! NOTE !

If the 21/26 model is to be set to 26kW, the air adjuster disc is not required. It should be removed from the burner and discarded.

The Riello RDB 2.2 BX burner fitted to these boilers incorporates a secondary air adjustment.

This is an air adjuster disc located on the fan housing (inside the air inlet housing).

It is essential, for correct operation of the burner, that this internal air adjuster disc is correctly set. Refer to Figure 10-11.

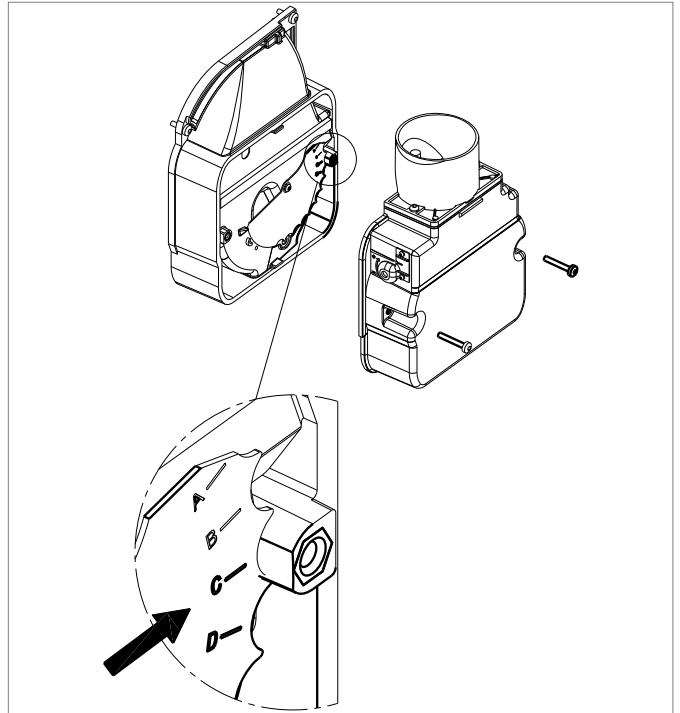


Figure 10-11: Air adjuster disc

To access the air adjuster disc:

1. Ensure the boiler is isolated from the electrical supply.
2. Remove the burner fixing nut (located at the top of the mounting flange) and withdraw the burner from the boiler.
3. Undo the two screws and remove the air inlet cover from the side of the burner.
4. The air adjuster disc is mounted on the fan housing. Refer to Figure 10-11.
5. Check that this disc is correctly set for the factory set output of the boiler, i.e. with the correct cut-out mark located against the moulded boss on the fan housing. Refer to Table 2-2 for correct disc settings. If the disc is not correctly set it **MUST** be re-positioned. Refer to step 7 below.
6. If the burner is to be set to a different output than the factory setting, the air adjuster disc **MUST** be set to the required setting for that output. Refer to Table 2-2 for correct disc settings.
7. The air adjuster disc is re-positioned as follows:
 - Remove the screw from the centre of the air adjuster disc.
 - Re-position the disc so that the correct cut-out is located against the moulded boss on the fan housing.
 - Replace the screw in the centre of the air shutter disc and tighten.
8. If the 21/26 model is to be set to 26kW, the air adjuster disc is not required. It should be removed from the burner and discarded.
9. Re-fit the air inlet cover to the side of the burner and secure in place using the two screws.

10.5 SWITCHING ON

1. Check that all system controls are calling for heat and turn the boiler thermostat to maximum.
2. Switch on the electricity supply to the boiler.
3. Set the boiler On/Off switch to ON. A neon on the switch lights when it is in the ON position. The boiler will now light automatically.

Note that the neon lights when the boiler is switched on, but does not necessarily indicate the burner is firing.

The burner should then fire. Open the vent screw on the vent manifold to vent the supply while the oil pump is running

4. The burner fan should start and the burner should light within about 12 seconds. If the burner does not light and the 'Lock-out' reset button on the burner lights, wait about 45 seconds and press the reset button to restart the ignition process.

This procedure may have to be repeated several times during first lighting.

5. With the burner alight, check the fuel pressure. Refer to Section 2.2 (burner settings).
6. Adjust the pressure if necessary - refer to Section 11.9 (burner components).

! NOTE !

It is important that the oil pressure is correctly set.

7. Operate the boiler until it reaches normal operating temperature. Check oil supply/return pipe for leaks, rectifying where necessary.
8. Check the operation of the boiler thermostat. Ensure that by turning it anticlockwise it switches the burner off.
9. With the burner alight, re-check the fuel pressure and re-adjust if necessary. Turn the boiler off, remove the pressure gauge and replace the plug in the pump.
10. Ensure that there are no oil leaks, replace the burner cover.
11. On balanced flue installations - Ensure the flexible air inlet tube is correctly connected to both the burner air inlet and the flue system.

10.6 RUNNING THE BOILER

1. Relight the boiler and allow it to run for at least 20 minutes.
2. Check the smoke number, if it is 0-1 then it is satisfactory.
3. Using a calibrated electronic flue gas analyser, set to the correct fuel, check the %CO₂ in the flue gases.

! NOTE !

To allow the boiler to be commissioned and serviced correctly a combustion test point is provided on the front cleaning door. Both the %CO₂ and smoke test may all be carried out using this test point.

This test point is not suitable for measuring boiler efficiency or conventional flue draught.

4. When using the test point on the cleaning cover note that the flue gas temperature reading will be higher than that measured in the flue thus resulting in an inaccurate efficiency reading. To obtain an accurate flue gas temperature and efficiency, the reading can only be measured outside through the low level flue terminal (or the test point on the conventional flue starter section when used).
5. For high level and vertical balanced flues, the reading may be taken from the flue test point provided on the flue system. Refer to Section 9.
6. For conventional flues, a test point is provided in the conventional flue adaptor for flue draught and flue gas temperature measurement. Refer to Section 9.
7. Set the %CO₂, as indicated on the flue gas analyser, to the required value as given in Section 2.2 for the boiler concerned.
8. Adjust the burner air damper, using the hexagonal key supplied, to achieve the required %CO₂. Refer to Section 11.9.
9. To increase the %CO₂:
 - Turn the screw anti-clockwise. This will close down the burner air damper and decrease the combustion air entering the burner.To decrease the %CO₂:
 - Turn the screw clockwise. This will open up the burner air damper and increase the combustion air entering the burner.
10. When the %CO₂ is set to the correct level, re-check the smoke number if the burner air damper has been moved. Under no circumstances must the smoke number be above 1.

! NOTE !

For safe and efficient operation of the boiler it is essential that the air damper is correctly set to give the required %CO₂ in the flue gases.

10.7 BALANCING THE SYSTEM

1. When the boiler has been adjusted and is running satisfactorily, balance the central heating system by adjusting the radiator lock shield valves. Start with the radiator nearest the boiler and adjust the valves to achieve the required temperature drop across each radiator. If thermostatic radiator valves have been installed, check the system bypass.
2. Switch off the boiler.

10.8 COMPLETION

1. With the system hot, check again for leaks, rectifying where necessary. Drain the system while it is hot to complete the flushing process. Refill and vent the sealed system.
2. A suitable central heating system inhibitor must be added to protect the system against the effect of corrosion.
3. A suitable antifreeze should be used to prevent damage to the boiler in areas where electrical power failure can occur in winter months.
4. Replace the top, front and rear panels as necessary.

! NOTE !

After commissioning the boiler complete the OFTEC CD/11 commissioning report. Leave the top copy with the user and retain the carbon copy.

If the boiler is to be left in service with the User, set the controls and room thermostat (if fitted) to the User's requirements.

If the boiler is not to be handed over immediately, close the boiler fuel supply valve and switch off the electricity supply.

! CAUTION !

If there is any possibility of the boiler being left during freezing conditions, then the boiler and system should be drained. Alternatively, a suitable heating system antifreeze should be used.

10.9 INFORMATION FOR THE USER

The User must be advised (and demonstrated if necessary) of the following important points:-

- How to start and switch off the boiler and how to operate the system controls.
- The precautions necessary to prevent damage to the central heating system and to the building, in the event of the boiler not being in operation during frost conditions.
- The importance of servicing the boiler to ensure safe and efficient operation. This should normally be required only once a year.
- The type of fuel used.
- That any servicing or replacement of parts must only be carried out by a suitably qualified engineer.
- Ensure that the boiler controls and room thermostat (if fitted) are set to the User's requirements.
- Tell the User the system pressure and show them the position of the safety valve discharge pipe.
- Show the User how to reset the overheat thermostat and how to restart the boiler if it goes to 'Lockout'.

11 SERVICING

To ensure safe and efficient operation it is essential that a Grant Vortex boiler is serviced at regular intervals of no longer than 12 months.

Servicing and replacement of parts must only be carried out by a suitably qualified engineer.

! CAUTION !

Details of every service should be entered in the Service Log in the User Handbook.

This information may be required to validate the Grant extended guarantee.

! WARNING !

Before starting any work on the boiler, or fuel supply please read the health and safety information given in Section 15.

11.1 CHECKS BEFORE SERVICING

The following sequence of checks should be made before starting any service work:

1. Check the flue terminal and ensure it is not blocked or damaged.
2. Run the boiler and check the operation of its controls.
3. Ensure that all water/fuel system connections and fittings are sound. Remake any joints and check the tightness of any fittings that may be leaking.
4. Allow the boiler and system to cool down
5. If the boiler is part of a sealed central heating system, check the system pressure, check the operation of the pressure relief valve and check the expansion vessel air charge. Refer to Section 7.
6. Refill, vent and re-pressurise the system as necessary. Refer to Section 7.
7. Check that any ventilation openings are of adequate free area and are clear of obstructions. Refer to Section 9.
8. Remove any sludge/water from the fuel tank by opening the sludge valve at the lower end of the tank (if fitted).
9. Ensure that all fuel system connections are sound. Remake any joints and check the tightness of any fittings that may be leaking.
10. With the fuel supply valve (at the oil tank) closed, clean/replace the filter element and clean the filter bowl.

! WARNING !

Before servicing, isolate the electricity supply and close the fuel supply valve.

The data label on the top panel of the Boiler House models will indicate the fuel used and the nozzle fitted.

11.2 DISMANTLING PRIOR TO SERVICING

The procedure for dismantling the boiler is as follows:

1. Disconnect the flexible air tube from the burner.
2. Unscrew and remove the two fixing screws and remove the red cover from the burner.
3. Remove the burner fixing nut (located at the top of the mounting flange) and withdraw the burner from the boiler. If required, disconnect the flexible oil line(s), using a suitable container to prevent any oil spillage.

4. Check or replace the flexible fuel supply hose, as follows:
 - Braided flexible fuel supply hoses (as supplied with the boiler) should be replaced annually, i.e. when the boiler is serviced.
 - Long-life hoses should be inspected annually. If in doubt replace the hose(s). In any event, these hoses must be replaced every five years.

! NOTE !

With a two-pipe oil supply there will be two flexible hoses connected to the burner. Identify (mark if necessary) which is the inlet and return if they are to be disconnected.

11.3 CLEANING THE BOILER

The procedure for cleaning the boiler is as follows:

1. Remove the upper front panel. Unscrew and remove the two screws located on either side of the panel, just below the overhang. Refer to Figure 10-1.
2. Lift the upper front panel up and off the boiler. Refer to Figure 10-2.
3. Unscrew and remove the nuts and washers securing the front cleaning door and withdraw the door. See figure 10-3. Take care - it is heavy.
4. Remove the baffles as shown in Figures 11-1 to 11-5.
5. Remove all deposits from the baffle plates and all the boiler internal surfaces using a stiff brush and scraper if necessary.
6. Check the condition of the flue, clean as necessary.
7. Check the condition of the front cleaning door seal and replace if necessary.
8. Refit the baffles, ensuring they are correctly located. Refer to Figures 11-1 to 11-5, as appropriate. Pull out the spiral turbulators from the heat exchanger tubes. See Figure 10-4.
9. Clean the turbulators using a stiff brush
10. Test the heat exchanger condensate drain by pouring water into one of the lower tubes and observe whether the water discharges from the 22 mm condensate outlet. Replace the turbulators.
11. Replace the front cleaning door, ensuring the seal is in good condition and secure it in position with the nuts and washers previously removed. Tighten to form a seal.
12. Remove the condensate trap and check that it is not blocked and is operating correctly, i.e. the float is free to move. Clean the trap and float as required.
13. Check the condition of the flexible condensate hose between the trap and the boiler.
14. Check that the boiler condensate outlet is unobstructed. Clean if necessary.

! NOTE !

The condensate trap and condensate outlet must be checked on every service and cleaned as necessary.

The end cap is not sealed to the trap body and can be removed for cleaning. Ensure that this cap is correctly re-fitted before re-starting the boiler.

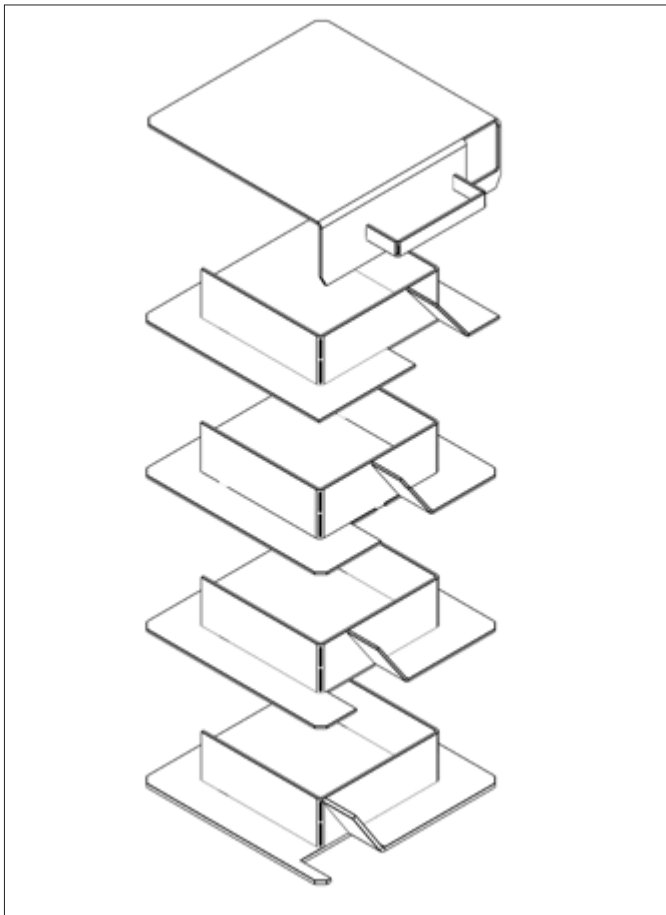


Figure 11-1: 15/21 and 21/26kW baffles

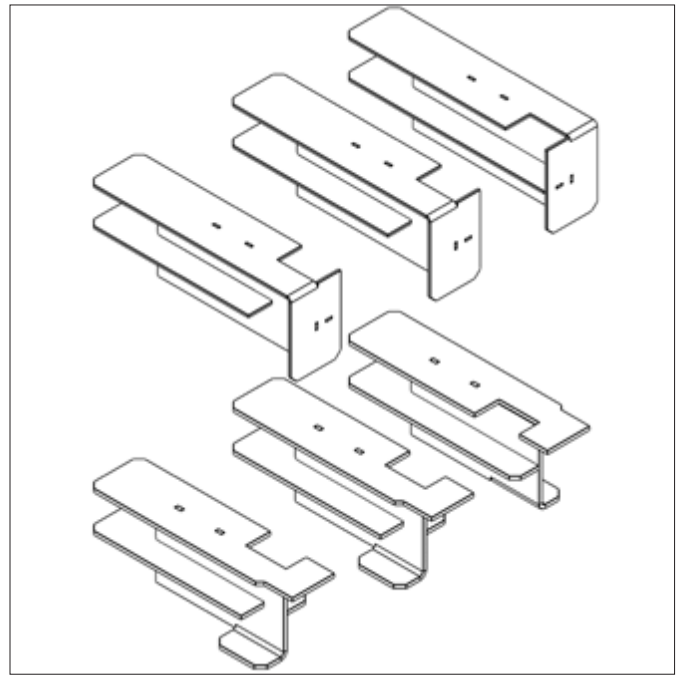


Figure 11-3: 36/46kW baffles

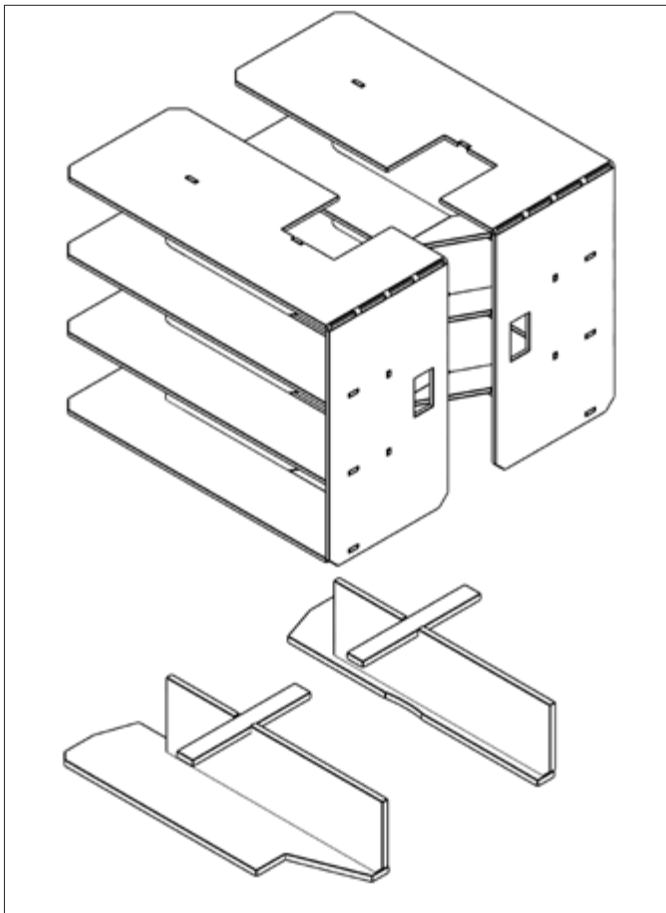


Figure 11-2: 26/35kW baffles

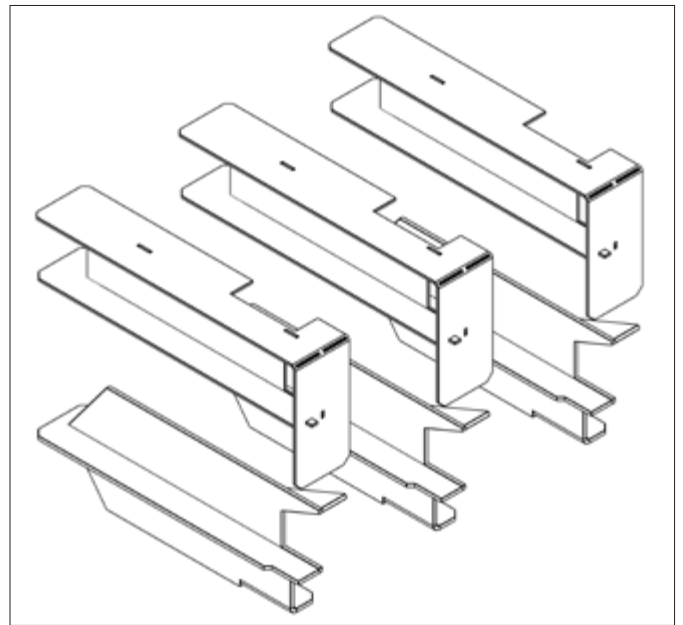


Figure 11-4: 46/58kW baffles

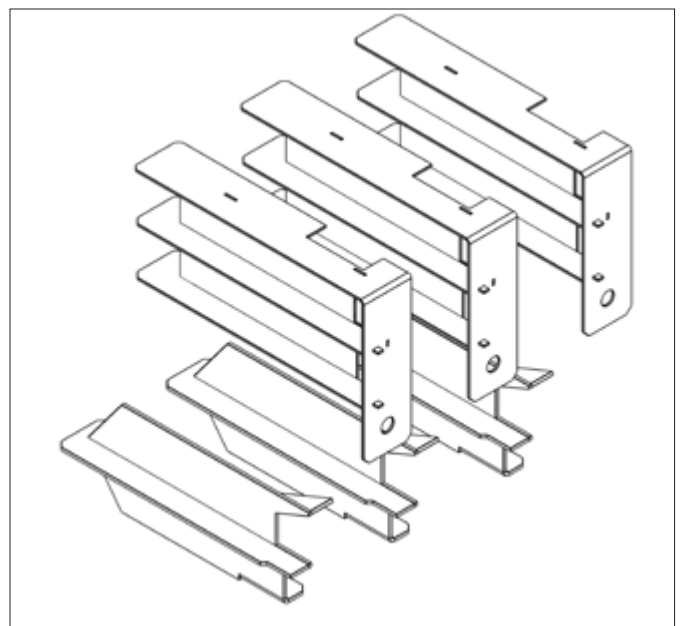


Figure 11-5: 58/70kW baffles

11.4 CLEANING THE BURNER: RDB2.2 BX BURNERS ONLY

FOR 15/21, 21/26, 26/35 AND 36/46 MODELS

With the burner removed from the boiler:

Burner head, nozzle and diffuser/electrode assembly:

1. Remove the burner head. Refer to Figure 10-5. Loosen the three fixing screws (1) and remove head (2) from burner.
2. Clean the burner head and recirculation tube (if fitted).
3. Remove diffuser/electrode assembly. Refer to Figure 10-5.
 - Using a 4 mm Allen key, loosen the diffuser fixing screw (3) from electrode assembly.
 - Lift diffuser/electrode assembly (5) up and off the nozzle holder.
 - Disconnect both ignition leads (4) from the electrodes.
4. Replace the nozzle (8). The nozzle should always be replaced on an annual service. Refer to Table 2-2 for the correct nozzle size and type for the required boiler output. Do NOT attempt to clean the nozzle.

Use a 16 mm spanner to remove/re-fit the nozzle, whilst holding the nozzle holder using a 19 mm spanner.

! CAUTION !

The use of an ill-fitting spanner will damage the nozzle and could lead to an incorrect flame pattern and poor combustion.

! NOTE !

Ensure that the nozzle is securely tightened so that it does not leak but do not overtighten.

5. Inspect the ignition electrodes - remove the diffuser fixing screw and withdraw the electrode assembly. Wipe clean and check for any cracks in the ceramic insulation. Replace if necessary.
6. Re-fit the diffuser/electrode assembly. Refer to Figure 10-5.
 - Reconnect ignition leads (4) to electrodes.
 - Re-fit the diffuser/electrode assembly (5) onto the nozzle holder lining up the fixing screw with the recess in the nozzle holder.
 - Ensure diffuser assembly is fitted down hard onto the shoulder on the nozzle holder.
 - Tighten the fixing screw (3) to secure the diffuser/electrode assembly in place on the nozzle holder.

! NOTE !

Do not overtighten the fixing screw as this may damage the electrode insulator.

7. Check/adjust the electrode settings. Refer to Figure 10-6. Always check the electrode settings after replacing the nozzle.
8. Re-fit the burner head. Refer to Figure 10-5.
 - Locate the head fixing screws (1) in the countersunk slots in the burner collar.
 - Check that the small oil drip hole (on the head) is pointing downwards.
 - Tighten the three screws (1) to secure the head (2) in position on the burner.
9. Adjust the diffuser position. Refer to Figure 10-7.

! NOTE !

The distance between the end of the burner head and the front face of the diffuser (D) MUST be correctly set for the burner to operate correctly.

- Refer to Table 2-2 for the required distance (head setting) for the boiler output required.
- Check the distance D using the gauge plate supplied with the boiler.
- To use the gauge plate: Position the gauge on the burner head as shown in Figure 10-7.
- Locate the gauge with the correct steps (i.e. the two marked with the required distance D) resting on the edge of the burner head.
- Check the gauge plate is at 90° to the end of the burner head and is positioned at the full diameter of the head.
- If the distance D is correct, the tongue of the gauge should just make contact with the diffuser, with BOTH steps still in contact with the edge of the burner head.
- If the steps are not in contact with the edge of the burner head, when the tongue of the gauge is touching the diffuser, the diffuser must be 'opened' (see below).
- If the tongue does not reach the diffuser, when the steps are in contact with the edge of the burner head, the diffuser must be 'closed' (see below).

To adjust the diffuser position:

- If necessary, adjust distance D using the black adjustment knob located around the oil supply pipe on the front of the burner. Refer to Figure 10-7. Re-check distance D using the gauge plate, as described above.
- For easier access to the adjustment knob, pull the photocell out from the burner housing.
- To increase distance D (to open the diffuser): rotate the knob clockwise - indicated as '+' on the knob.
- To decrease distance D (to close the diffuser): rotate the knob anti-clockwise - indicated as '-' on the knob.

! NOTE !

One full rotation of the adjustment knob is approximately 1 mm of diffuser movement.

! NOTE !

It is essential that the final position of the diffuser is checked, using the gauge plate provided with the boiler and the diffuser adjusted as necessary to achieve the required distance D.

10. Continue cleaning the other burner components as detailed in Section 11.6

11.5 CLEANING THE BURNER: RDB3.2 BURNERS ONLY

FOR 46/58 AND 58/70 MODELS

With the burner removed from the boiler:

1. Remove the burner head. Refer to Figure 10-8. Loosen the two fixing screws (3) and remove head (2) from burner.
2. Clean the burner head.
3. Remove diffuser/electrode assembly. Refer to Figure 10-8.
 - Loosen the diffuser clamp screw (7).
 - Remove the diffuser/electrode assembly (5) from the nozzle holder (6).
 - Disconnect both ignition leads (4) from the electrodes.
4. Replace the nozzle. The nozzle should always be replaced on an annual service. Refer to Table 2-2 for the correct nozzle size and type for the required boiler output. Do NOT attempt to clean the nozzle.

Use a 16 mm spanner to remove/re-fit the nozzle, whilst holding the nozzle holder using a 19 mm spanner.

! CAUTION !

The use of an ill-fitting spanner will damage the nozzle and could lead to an incorrect flame pattern and poor combustion.

! NOTE !

Ensure that the nozzle is securely tightened so that it does not leak but DO NOT OVER TIGHTEN!

5. Inspect the ignition electrodes - loosen the electrode clamp screw and withdraw the electrode assembly. Wipe clean and check for any cracks in the ceramic insulation. Replace if necessary.
6. Reconnect ignition leads to electrodes.
7. Re-fit the diffuser/electrode assembly to the nozzle holder.
8. Slide the diffuser along the nozzle holder until hard against the stop and tighten the diffuser clamp screw.
9. Check/adjust the electrode assembly to give the correct gap (4mm) between the nozzle and electrodes. Refer to Figure 10-9
To adjust the electrode position:
 - Loosen the electrode clamp screw.
 - Slide the electrode assembly to give the correct gap of 4mm.
 - Tighten the electrode clamp screw.
10. Re-fit the burner head. Refer to Figure 10-8.
 - Locate the head fixing screws in the countersunk slots in the burner collar.
 - Tighten the two screws (1) to secure the head (2) in position on the burner.
11. Check the combustion head setting.
 - The correct head setting depends on the required output of the boiler. Refer to Table 2-2.
 - This should be set to '0' in all cases except when the 58/70 is set to maximum (70kw) output.
 - In this case the head is set to '4' (i.e. on the 4th line). Refer to Figure 10-10.
12. To adjust the head setting:
 - Loosen the two screws in the curved slots in outer ring of the head (NOT the two head fixing screws). Refer to Figure 10-10.
 - Rotate the end of the burner head until either '0' or the 4th line, as required.
 - Tighten the two screws to fix the head in the required position.
13. Continue cleaning the other burner components as detailed in Section 11.6.

11.6 CLEANING THE BURNER: ALL MODELS

Photocell

The photocell is a push-fit in the front of burner body. Refer to Section 11.9.

1. Holding the body of the photocell and NOT the cable, carefully pull the photocell out of the burner.
2. Clean the sensor end of the photocell.
3. Replace photocell back in the burner and check that it is fully pushed in.

Burner air inlet cover

This is located on the right hand side of the burner. Refer to Section 11.9.

1. Unscrew and remove the two screws and remove the air inlet cover from the burner.
2. Check inside and remove any debris, leaves, hair, fluff, etc. from the air inlet cover and air damper..
3. Check the condition of the rubber seal around the air inlet cover. Replace if damaged or missing.

Burner fan housing

This is located over the fan impeller. Refer to Section 11.9.

With the burner air inlet cover already removed:

1. Unscrew and remove the four screws and remove the fan housing from the burner.
2. Check and clean the fan impeller and remove any debris, leaves, hair, fluff etc.
3. Check the fan housing is clean and clean as required.
4. Check the rubber seal around the fan housing. Replace if damaged or missing.
5. Re-fit the fan housing to the burner and secure with the four screws.
6. Check the air adjuster disc (15/21 and 21/26 models only). Refer to Section 10.4 for details.
7. Re-fit the air inlet cover to the burner and secure with the two screws.

Oil pump filter

This is located under the end cover on the oil pump. Refer to Section 11.9.

1. Unscrew and remove the four cap screws securing the pump end cover.
2. Remove the filter and wash in kerosene.
3. Check the O-ring seal around the end cover. Replace if damaged.
4. Replace the filter and end cover.
5. Re-fit the four cap screws, tightening evenly, to secure the end cap.

11.7 AIR ADJUSTER DISC: 15/21 AND 21/26 MODELS ONLY

Refer to Section 10.4.

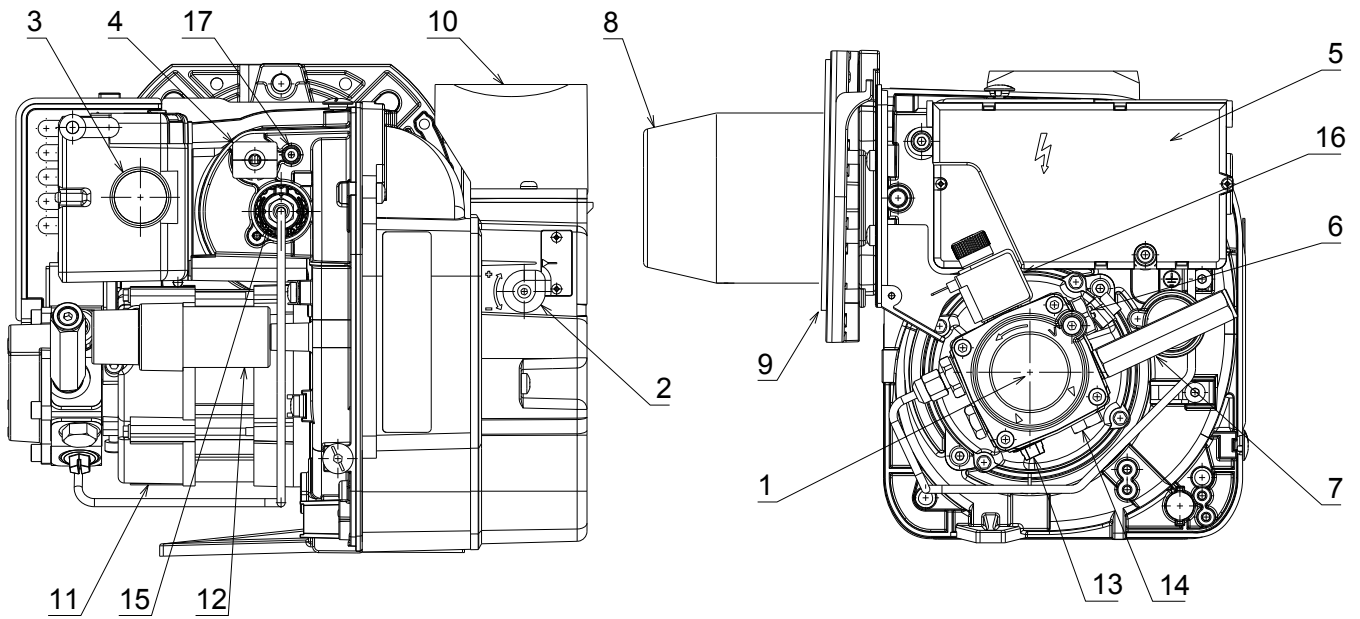
11.8 RECOMMISSIONING

! WARNING !

To ensure safe and efficient operation of the boiler it is important that re-commissioning is carried out, especially combustion checks (%CO₂ level, flue gas temperature and smoke number) after the boiler has been serviced. Refer to the Commissioning instructions in Section 10.

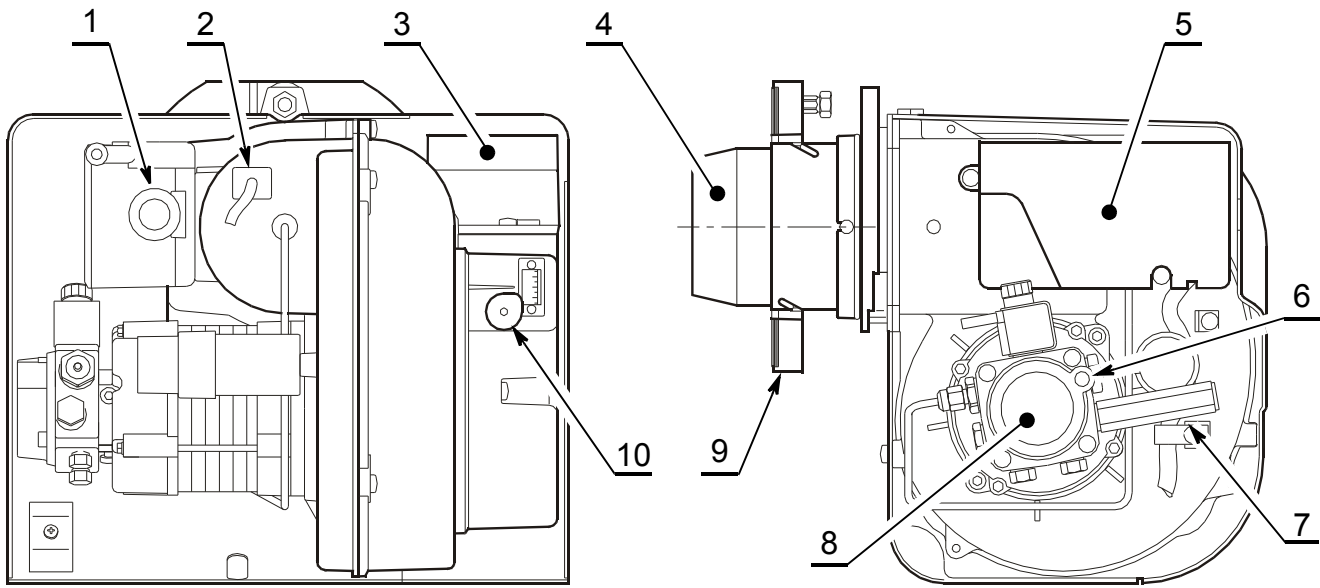
11.9 BURNER COMPONENTS

**11.9.1 BOILER HOUSE 15/21, 21/26, 26/35, 36/46
(RIELLO RDB 2.2 BX)**



Item	Description	Item	Description
1	Oil pump	10	Air inlet
2	Air damper adjustment screw	11	Motor
3	Reset button with lockout lamp	12	Motor ignition capacitor
4	Photocell	13	Fuel suction line
5	Control box	14	Return line
6	Pump pressure adjustment screw	15	Combustion head adjustment handle
7	Extension for gauge connection	16	Coil
8	Combustion head	17	Air pressure test point
9	Flange with insulating gasket		

**11.9.2 BOILER HOUSE 46/58 AND 58/70
(RIELLO RDB 3.2)**



Item	Description	Item	Description
1	Reset button with lockout lamp	6	Pump pressure adjustment screw
2	Photocell	7	Extension for gauge connection
3	Air inlet	8	Oil pump
4	Combustion head	9	Flange with insulating gasket
5	Control box	10	Air damper adjustment screw

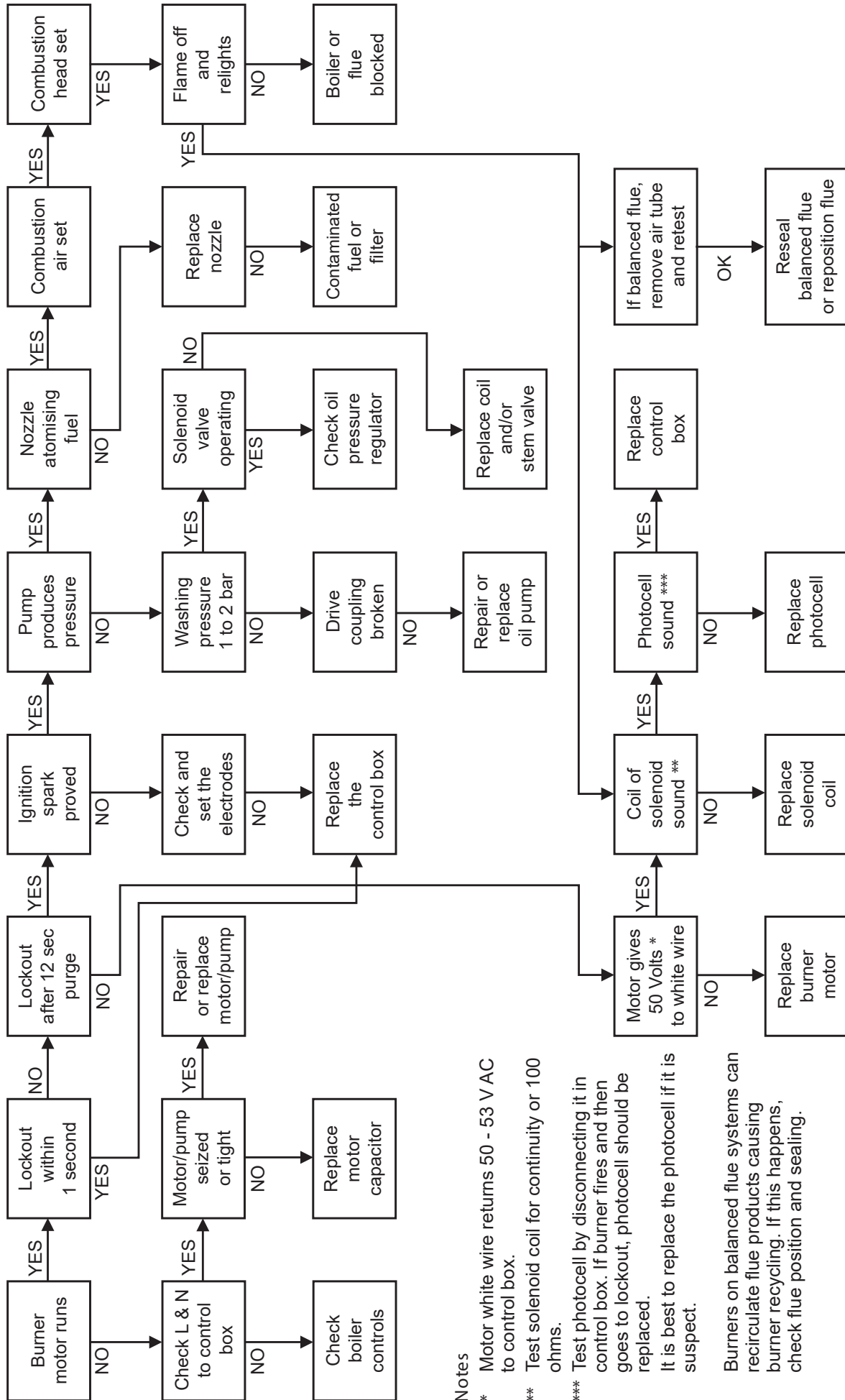
12 FAULT FINDING

12.1 BOILER FAULT FINDING

Always isolate the electricity supply to the boiler before working on the boiler.

Table 12-1: Boiler fault finding

Fault	Remedies
Boiler will not start:	
No fuel supply.	Ensure that an adequate supply of fuel is available and that the fuel supply valve is open. Check the condition of the fuel filter, clean if necessary. Ensure fuel supply is reaching burner and vent pump. Check that the fire valve has not operated to shut off the oil supply.
No electricity supply.	Ensure electricity supply to the boiler is switched on and that all controls are calling for heat. Ensure that the overheat thermostat has not tripped, reset if necessary. Check that a mains supply is present at the burner terminal block. If not, check the boiler and overheat thermostat.
Burner not starting - fuel and electricity supplies present.	Press the reset button on the burner control box if it is lit. Refer to burner fault finding charts.
Burner lights but goes to lock-out.	If the flame is unstable, check the combustion settings. Refer to burner fault finding charts.
Boiler works but:	
1. Visible smoke from flue or high smoke number.	Insufficient air supply - check the air damper setting and the condition of the fan. Check room ventilation is adequate, see Section 9.1. Check the nozzle size and type. Fuel pressure may be too high - check and adjust.
2. Burner pulses.	Insufficient air supply - check the air damper setting and the condition of the fan. Check room ventilation is adequate, see Section 9.1. Check the nozzle size and type.
3. Flame slow to stabilise during start up.	Insufficient air supply - check the air damper setting and the condition of the fan. Check room ventilation is adequate, see Section 9.1. Check the nozzle size and type. Fuel pressure may be too low - check and adjust. Insufficient draught - clean boiler heat exchanger and check condition of flue.
4. Water temperature low.	Undersize nozzle and/or low fuel pressure. Check condition of boiler heat exchanger and clean if necessary. Check the boiler thermostat. Check the combustion settings. Check the condition of the fuel filter.
5. Boiler operating on overheat thermostat.	Faulty boiler thermostat. No circulation, check circulating pump. Check for air lock.
6. Fumes and puffing during starting (conventional flue)	Check the condition of the chimney, ensure it is not blocked and is high enough to produce the required draught. Check that there is an adequate air supply near the burner and that a kitchen fan is not drawing products out of the burner.
7. Oil odours.	Check all fuel line connections, remake as necessary.
8. Combustion fumes smell.	Check boiler cleaning cover and seal are correctly fitted. Check burner is correctly fitted onto flange. Check flue is correctly sealed into flue outlet of boiler. Check the condensate pipe and trap are operating correctly.



Notes

* Motor white wire returns 50 - 53 V AC to control box.

** Test solenoid coil for continuity or 100 ohms.

*** Test photocell by disconnecting it in control box. If burner fires and then goes to lockout, photocell should be replaced. It is best to replace the photocell if it is suspect.

Burners on balanced flue systems can recirculate flue products causing burner recycling. If this happens, check flue position and sealing.

13 SPARE PARTS

13.1 BOILER PARTS LIST

Table 13-1: Boiler parts list

Description	Grant UK product code
Cleaning door nut and washer set	EFBS14
Double pole switch	EFBS19
Baffle set (complete) - 15/21 and 21/26	VBS99
Baffle set (complete) - 26/35	VBS97
Baffle set (complete) - 36/46	VBS36
Baffle set (complete) - 46/58	VBS76
Baffle set (complete) - 58/70	VBS77
Turbulator baffle - 360 mm (single) - up to 36/46	VBS05
Turbulator baffle - 476 mm (single) - 46/58 and 58/70	VBS03
Combustion Door - 15/21 and 21/26	VBS92
Combustion Door - 26/35	VBS69
Combustion Door - 36/46	VBS69X
Combustion Door - 46/58 and 58/70	VBS04
Cleaning door rope seal - 15/21 and 21/26	VBS15
Cleaning door rope seal - 26/35 and 36/46	VBS16
Cleaning door rope seal - 46/58 and 58/70	VBS111
Dual thermostat	DSBH03LC

Table 13-2: Riello RDB 2.2 BX burner parts list - 15/21, 21/26, 26/35 and 36/46kW models

Key No.	15/21	21/26	26/35	Description	Riello product code	Grant product code
1	•	•	•	Flange gasket	3005787	Z3005787
2	•	•	•	Combustion head (burner serial No. ≤ 02098013XXX)	20076038	Z20076038
	•	•	•	Combustion head (burner serial No. ≥ 02108013XXX)	20147320	Z20147320
3	•	•	•	Electrode	20018545	Z20018545
	•	•	•	Electrode	20018693	Z20018693
4	•	•	•	Diffuser disc	20139837	Z20139837
	•	•	•	Diffuser disc	20133586	Z20133586
5	•	•	•	Nozzle holder	20133588	Z20133588
	•	•	•	Collar (burner serial No. ≤ 02098013XXX)	20133590	Z20133590
6	•	•	•	Collar (burner serial No. ≥ 02108013XXX)	20141540	Z20141540
	•	•	•	High voltage lead	20019415	Z20019415
8	•	•	•	Air damper assembly	20089768	Z20089768
	•	•	•	Air damper assembly	3008839	Z3008839
9	•	•	•	Fan	3005788	Z3005788
10	•	•	•	Flame sensor	20132526	Z20132526
11	•	•	•	Capacitor	20071576	Z20071576
12	•	•	•	Needle valve	3007871	Z3007871
13	•	•	•	Regulator	3008651	Z3008651
14	•	•	•	Air damper	20094349	Z20094349
15	•	•	•	Pump	20030953	Z20030953
16	•	•	•	O-ring	3007175	Z3007175
17	•	•	•	O-ring and filter	3020436	Z3020436
18	•	•	•	Connector	3003602	Z3003602
19	•	•	•	Hose	3005720	Z3005720
20	•	•	•	Tube	20018549	Z20018549
21	•	•	•	Extension	3008876	Z3008876
22	•	•	•	Coupling	3000443	Z3000443
23	•	•	•	Coil	3008648	Z3008648
24	•	•	•	Motor and capacitor	20071577	Z20071577
25	•	•	•	Protection	3008649	Z3008649
26	•	•	•	Control box	3008652	Z3008652

Continued on next page

Table 13-2: Riello RDB 2.2 BX burner parts list - 15/21, 21/26, 26/35 and 36/46kW models (continued)

Key No.	15/21	21/26	26/35	Description	Riello product code	Grant product code
27	•	•	•	Connection	3008851	Z3008851
28	•	•	•	Seals kit	20040600	Z20040600
29	•	•	•	Front shield	3020306	Z3020306
30	•	•	•	Air intake	3020281	Z3020281
31	•	•	•	Bulkhead	20081612	Z20081612
32	•	•	•	Front piece	3006384	Z3006384
33	•	•	•	Cover	3008879	Z3008879
34	•	•	•	Shell and knob	3007566	Z3007566
35	•	•	•	Screw	20119098	Z20119098
36	•	•	•	Bypass screw	20029299	Z20029299
37	•	•	•	Connector	3020076	Z3020076
38	•	•	•	Knob	30134372	Z30134372
39	•	•	•	Connection	20140287	Z20140287
40	•	•	•	Seal	3007087	Z3007087
41	•	•	•	Seal	3020086	Z3020086
42	•	•	•	O-ring	3007177	Z3007177
43	•	•	•	O-ring seal	3007028	Z3007028
44	•	•	•	O-ring	3007167	Z3007167
45	•	•	•	O-ring	3007178	Z3007178
46	•	•	•	Coil	3007565	Z3007565
47	•	•	•	Index	20147023	Z20147023
48	•	•	•	Gauge	20148209	Contact Grant UK
49	•	•	•	Conventional Flue Air Intake	20012046	Z20012046

13.3 RIELLO RDB 3.2 BURNERS (46/58 AND 58/70 MODELS)

This section gives exploded views of the Riello burners in the Grant Boiler House boilers, and parts lists associated with them.

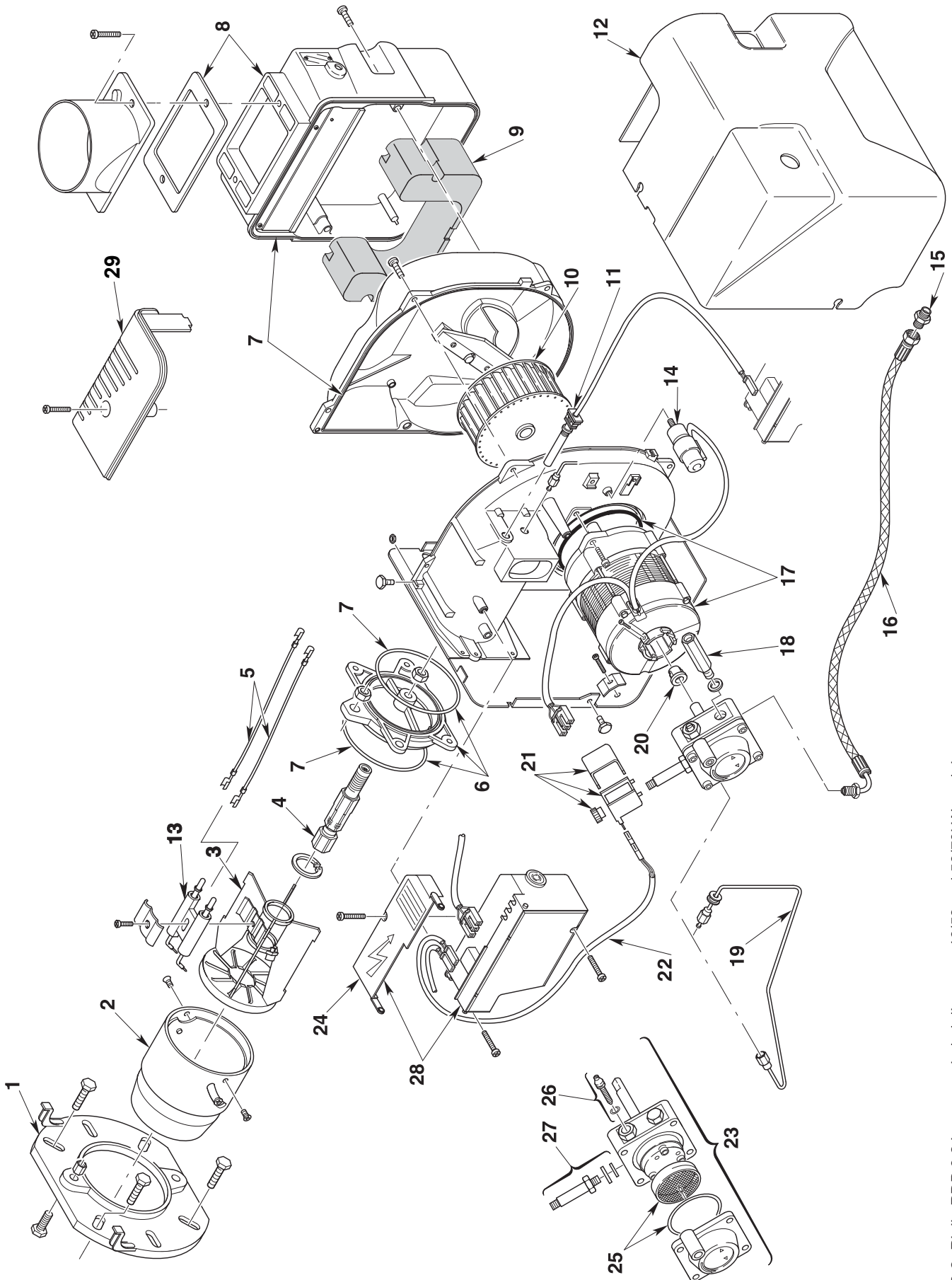


Figure 13-2: Riello RDB 3.2 burner exploded diagram - 46/58 and 58/70kW models

Table 13-3: Riello RDB 3.2 burner parts list - 46/58 and 58/70kW models

Key No.	Description	Riello product code	Grant product code
1	Mounting flange	3008637	Z3008637
2	Combustion head	3002572	Z3002572
3	Diffuser disc	3020180	Z3020180
4	Nozzle holder	3002570	Z3002570
5	High voltage lead	3008794	Z3008794/X (pack of two) Z3008794 (pack of six)
6	Burner head mounting collar	3008957	Z3008957
7	Seal kit	3008963	Z3008963
8	Air damper assembly	3008839	Z3008839
9	Insulation	3008958	Z3008958
10	Fan impeller	3005799	Z3005799
11	Photocell	3008646	Z3008646
12	Burner cover	3008962	Z3008962
13	Electrode assembly	3020121	Z3020121
14	Capacitor 5 µF	20081251	Z20081251
15	3/8" x 1/4" BSP adaptor	3003602	Z3003602
16	Flexible oil line	20032005 (replaces 3007621)	Z20032005
17	Motor	20084086	Z20084086
18	Pressure gauge connector	3008876	Z3008876
19	Supply tube	3008961	Z3008961
20	Drive coupling	3000443	Z3000443/X (single) Z3000443 (pack of ten)
21	Solenoid coil	3008648	Z3008648
22	Solenoid lead	3008851	Z3008851
23	Oil pump	20030953	Z20030953
24	Control box protection	3008649	Z3008649
25	Pump filter (including o-ring)	3020436	Z3020436
26	Pump pressure regulator	20032135	Z20032135
27	Solenoid valve	3007871	Z3007871
28	Control box - 535SE/LD	3008652	Z3008652
29	Conventional Flue Air Intake	3008959	Z3008959

14 DECLARATION OF CONFORMITY

EC DECLARATION OF CONFORMITY

In accordance with BS EN ISO/IEC 17050-1:2004

We: Grant Engineering (UK) Limited

Of: Hopton House
Hopton Industrial Estate
Devizes
SN10 2EU

Telephone: +44 (0)1380 736920

Fax: +44 (0)1380 736991

Email: info@grantuk.com

Website: www.grantuk.com

Declare that:

Equipment: Domestic oil boilers

Model Name/Number: Grant Vortex Boilerhouse 15-21, 21-26, 26-35, 36-46, 46-58 & 58-70.

In accordance with the following Directives:

2006/95/EEC Conforms with the safety objectives of the Low Voltage Directive and its amending directives.

2004/108/EC Conforms with the essential protection requirements of the Electromagnetic Compatibility Directive and its amending directives.

92/42/EC Conforms with the requirements of the Boiler Efficiency Directive.

2010/30/EU Conforms with the Labeling of Energy related products to EU (no) 811/2013

2009/125/EC Conforms with the Ecodesign of Energy related products to EU (no) 813/2013

I hereby declare that the equipment named above has been tested and found to comply with the relevant sections of the above referenced specifications. The unit complies with all essential requirements of the Directives.

Responsible Person: Neil Sawers

Position: Technical Manager

Signature:



Date: 23rd September 2016

15 HEALTH AND SAFETY INFORMATION

Under the Consumer Protection Act 1987 and Section 6 of the Health & Safety at Work Act 1974, we are required to provide information on substances hazardous to health (COSHH Regulations 1988).

Adhesives, sealants and paints used in the manufacture of the product are cured and present no known hazards when used in the manner for which they are intended.

The following other materials are present in the product:

15.1 INSULATION MATERIALS

Material Types:

Ceramic fibre board, mineral wool.

Description:

Rigid board, slabs, sleeves, gaskets, ropes.

Known Hazards:

May cause temporary irritation or rash to skin. High dust levels may irritate eyes and upper respiratory system.

Precautions:

Avoid unnecessary or rough handling, or harsh abrasion of boards. Normal handling and use of material should not produce high dust levels.

Avoid inhalation, and contact with skin and eyes.

After handling always follow normal good hygiene practices.

Protection:

Use disposable gloves, face mask and eye protection.

First Aid:

Eyes - If irritation occurs, wash eyes with copious amounts of water.

If symptoms persist, seek immediate medical advice.

Skin

If irritation occurs, wash under running water before washing with soap and water.

Inhalation

Remove to fresh air, drink water to clear throat and blow nose to remove dust/fibres.

Ingestion

Drink plenty of water.

15.2 SEALANT AND ADHESIVE

Material Types:

Silicone elastomer.

Description:

Sealant and adhesive.

Known Hazards:

Irritation to eyes.

Precautions:

Avoid inhalation of vapour, contact with eyes and prolonged or repeated contact with skin.

After handling always follow normal good hygiene practices.

Protection:

Use eye protection. Rubber or plastic gloves should be worn where repeated contact occurs and a face mask worn when working in confined spaces.

First Aid:

Eyes

Flush eyes with water for 15 minutes. Seek immediate medical attention.

Skin

Wipe off and wash with soap and water.

Inhalation

Remove to fresh air.

15.3 KEROSENE AND GAS OIL FUELS (MINERAL OILS)

Known Hazards:

The effect of mineral oils on the skin vary according to the duration of exposure and the type of oil.

The lighter fractions remove the protective grease naturally present on the skin, leaving it dry, liable to crack and more prone to damage by cuts, abrasions and irritant chemicals.

Skin rashes (Oil acne) most often on arms, but also on any part of the body in contact with oil or oily clothing.

Contact with fuel oils can cause dermatitis.

Precautions:

Avoid as far as possible any skin contact with mineral oil or with clothing contaminated with mineral oil.

The use of a lanolin-based barrier cream is recommended, in conjunction with regular washing with soap and rinsing with water to ensure all oil is removed from the skin.

Take care to prevent clothing, especially underwear, from becoming contaminated with oil.

Do not put oily rags or tools in pockets, especially trouser pockets.

Have first-aid treatment at once for an injury, however slight.

Do not inhale any vapours from mineral oils.

16 END OF LIFE INFORMATION

GENERAL

Grant oil boilers incorporate components manufactured from a variety of different materials. The majority of these materials can be recycled whilst the smaller remainder cannot.

Materials that cannot be recycled must be disposed of according to local regulations using appropriate waste collection and/or disposal services.

DISASSEMBLY

There is little risk to those involved in the disassembly of this product. Please refer to and follow the Health and Safety Information given in the Installation & Servicing Instructions provided with the boiler.

For guidance on the disassembly of the boiler refer to the information given in the Servicing section of the Installation & Servicing Instructions provided with the boiler.

RECYCLING

Many of the materials used in Grant oil boilers can be recycled, these are listed in the table below:

COMPONENT	MATERIAL
Outer casing panels	Mild steel (polyester powder coated)
Primary heat exchanger and baffles	Mild steel
Secondary heat exchanger	Stainless steel
Secondary heat exchanger spirals	Aluminium alloy
Pipework	Copper
Burner body/flange	Aluminium alloy
Burner oil pump	Aluminium alloy/steel
Riello oil burner cover	Plastic
Electrical wiring	Copper/plastic
Thermostats	Copper/plastic
Printed Circuit boards	Copper/plastic

DISPOSAL

All materials other than those listed above must be disposed of responsibly as general waste.



Neil Sawers
Technical Manager

Grant Oil Boiler Fiche V1.9 21/02/2017

17 PRODUCT FICHE

Product fiche concerning the
 COMMISSION DELEGATED REGULATIONS
 (EU) No 811/2013 of 18 February 2013
 (EU) No 813/2013 of 2 August 2013

Vortex Boilerhouse	Symbols	Unit	15/21 Boilerhouse	21/26 Boilerhouse	26/35 Boilerhouse	36/46 Boilerhouse	46/58 Boilerhouse	58/70 Boilerhouse
Condensing boiler			Yes	Yes	Yes	Yes	Yes	Yes
Low temperature boiler			No	No	No	No	No	No
B1 boiler			No	No	No	No	No	No
Combination heater			No	No	No	No	No	No
Rated heat output	Prated	kW	21	26	35	46	58	70
Useful heat output								
At rated heat output and high temperature regime	P_4	kW	21	26	35	46	58	70
At 30% of rated heat output and low temperature regime	P_1	kW	6.3	7.8	10.5	13.8	17.4	21
Auxiliary electricity consumption								
At full load	elmax	kW	0.113	0.154	0.146	0.148	0.189	0.182
At part load	elmin	kW	0.035	0.047	0.045	0.052	0.072	0.075
In standby mode	P_{SB}	kW	0	0	0	0	0	0
Useful efficiency								
Seasonal space heating energy efficiency	η_s	%	92.7	91.7	92.4	90.0	91.94	91.61
At rated heat output and high temperature regime	η_4	%	95.6	92.4	92.4	90.8	91.5	90.9
At 30% of rated heat output and low temperature regime	η_1	%	98.4	97.2	97.5	94.4	96.7	96.2
Other items								
Standby heat loss	P_{stby}	kW	0.082	0.091	0.09	0.301	0.309	0.306
Ignition burner power consumption	P_{ign}	kW	0	0	0	0	0	0
Annual energy consumption	Q_{HE}	kWh	-	-	-	-	-	-
Sound power level indoors	L_{WA}	dB	63	63	66	61	68	67
Emissions of nitrogen oxides	NO_x	mg/ kWh	<120	<120	<120	<120	<120	<120
Emission class			2	2	2	2	3	3
Daily fuel consumption	Q_{fuel}	kWh	-	-	-	-	-	-
Annual fuel consumption	AFC	GJ	-	-	-	-	-	-

18 GUARANTEE

You are now the proud owner of a Grant Vortex condensing boiler from Grant Engineering (UK) Limited which has been designed to give years of reliable, trouble free operation.

Grant Engineering (UK) Limited guarantees the manufacture of the boiler including all electrical and mechanical components for a period of **twelve months from the date of installation**⁴, provided that the boiler has been installed in full accordance with the installation and servicing instructions issued.

This will be extended to a total period of **two years** if the boiler is registered with Grant Engineering (UK) Limited within **thirty days of installation** and it is serviced at twelve month intervals³. See main Terms and Conditions below.

Registering the product with Grant Engineering (UK) Limited

Please register your Grant Vortex condensing boiler with Grant Engineering UK Limited **within thirty days of installation**. To do so visit:

www.grantuk.com/support/product-registration

You can register your boiler for a further **twelve months** guarantee (giving **two years** from the date of installation⁴). This does not affect your statutory rights¹.

If a fault or defect occurs within the manufacturer's guarantee period

If your boiler should fail within the guarantee period, you must contact Grant Engineering (UK) Limited who will arrange for the repair under the terms of the guarantee, providing that the boiler has been correctly installed, commissioned and serviced (if the appliance has been installed for more than twelve months) by a competent person and the fault is not due to tampering, running out of oil, oil contamination, debris, system water contamination, misuse, trapped air or the failure of any external components not supplied by Grant Engineering (UK) Limited, e.g. fire valve, motorised valve, etc.

This two year guarantee only applies if the boiler is registered with Grant Engineering (UK) Limited within thirty days of installation⁴ and is serviced after twelve months³.

In the first instance

Contact your installer or commissioning engineer to ensure that the fault does not lie with the system components or any incorrect setting of the system controls that falls outside of the manufacturer's guarantee otherwise a service charge could result. Grant Engineering (UK) Limited will not be liable for any charges arising from this process.

If a fault covered by the manufacturer's guarantee is found

Ask your installer to contact Grant Engineering (UK) Limited Service Department on +44 (0)1380 736920 who will arrange for a competent service engineer to rectify the fault.

Remember - before you contact Grant Engineering (UK) Limited

- Ensure the boiler has been installed, commissioned and serviced by a competent person in accordance with the installation and servicing instructions.
- Ensure there is oil to supply the burner.
- Ensure the problem is not being caused by the heating system or its controls. Consult the boiler handbook for guidance.

Free of charge repairs

During the **two year** guarantee period no charge for parts or labour will be made provided that the boiler has been installed and commissioned correctly in accordance with the manufacturer's installation and servicing instructions, it was registered with Grant Engineering (UK) Limited within thirty days of installation⁴ and, for boilers over twelve months old, details of annual service is available³.

The following documents must be made available to Grant Engineering (UK) Limited on request:

- Proof of purchase
- CD10 Installation Completion Form (or equivalent document)
- CD11 Commissioning Report Form (or equivalent document)
- Service documents (CD11 or equivalent document)

Chargeable repairs

A charge may be made (if necessary following testing of parts) if the breakdown is due to any fault(s) caused by the plumbing or heating system, e.g. contamination of parts due to system contamination, sludge, scale, debris or trapped air. Refer to 'Extent of manufacturer's guarantee'.

Extent of manufacturer's guarantee

The manufacturer's guarantee does NOT cover the following:

- If the boiler has been installed for over **two years**.
- If the boiler has not been installed, commissioned, or serviced by a competent person in accordance with the installation and servicing instructions.
- Instances where the serial number has been removed or made illegible.
- Fault(s) due to accidental damage, tampering, unauthorised adjustment, neglect, misuse or operating the boiler contrary to the manufacturer's installation and servicing instructions.
- Damage due to external causes such as bad weather conditions (flood, storms, lightning, frost, snow, or ice), fire, explosion, accident or theft.
- Fault(s) due to incorrectly sized expansion vessel(s), incorrect vessel charge pressure or inadequate expansion on the system.
- Fault(s) caused by external electrics and external components not supplied by Grant Engineering (UK) Limited.
- Problems caused by lack of oil or faults with the oil storage and supply system.
- Fault(s) due to contamination of the oil storage and supply system, e.g. water or debris.
- Bleeding or removing oil storage tank contamination or blockages from oil lines.
- Problems due to the flue system being incorrectly fitted or not installed to meet installation requirements.
- Boiler servicing, de-scaling or flushing.
- Cleaning out condensate traps/discharge pipes or thawing out frozen condensate pipework.
- Checking and replenishing system pressure.
- Oil supply pipelines, electrical cables and plugs, external controls not supplied by Grant Engineering (UK) Limited.
- Heating system components, such as radiators, pipes, fittings, pumps and valves not supplied by Grant Engineering (UK) Limited.
- Instances where the oil boiler has been un-installed and re-installed in another location.
- Use of spare parts not authorised by Grant Engineering (UK) Limited.
- Consumable items including, but not limited to, oil nozzles, oil hoses, gaskets and seals.

IMPORTANT

The nozzle and braided oil hose supplied with the boiler are only covered for the period up to the time of the first service (twelve months). Both **must** be changed on the first service and on every annual service thereafter.

IMPORTANT

A suitable oil filter with a minimum 15µ filtration **must** be installed in the oil supply line.

Do not wait until the fuel supply runs out before you re-order. Sludge in the bottom of the tank may be drawn into the fuel lines. It is recommended that the boiler is switched off when the new oil supply is delivered and that the fuel is allowed to settle for an hour before restarting the boiler.

Terms of manufacturer's guarantee

- The Company shall mean Grant Engineering (UK) Limited.
- The boiler must be installed by a competent person and in full accordance with the relevant Codes of Practice, Regulations and Legislation in force at the time of installation.
- The boiler is guaranteed for **two years** from the date of installation⁴, providing that every twelve months the annual service has been completed³ and the boiler registered with the Company within thirty days of installation. Any work undertaken must be authorised by the Company and carried out by a competent service engineer.
- This guarantee will be invalid if the boiler does not have an annual (every twelve month) service and will then be limited to twelve months from the date of installation⁴.
- The shell (heat exchanger) of the oil boiler is covered by a **five year parts and labour** guarantee from the date of installation⁴. This is subject to the following:
 - The boiler is operated correctly, in accordance with the Installation and servicing instructions.
 - Grant Engineering (UK) Limited **strongly recommends** that a Grant Mag-One in-line magnetic filter/s (or equivalent⁵) is fitted in the heating system pipework. This should be installed and regularly serviced in accordance with the filter manufacturer's instructions. We reserve the right to ask for proof of installation – failure to provide this may result in the guarantee becoming invalid.
 - Proof is provided that the system has been flushed or chemically cleaned where appropriate (refer to BS 7593) and that the required quantity of a suitable corrosion inhibitor added.
 - Proof of annual servicing (including the checking of any expansion vessels and pressure relief valves) must be provided if and when requested by the Company.
- This guarantee does not cover breakdowns caused by incorrect installation, neglect, misuse, accident or failure to operate the boiler in accordance with the manufacturer's installation and servicing instructions.
- The boiler is registered with the Company within thirty days of installation. Failure to do so does not affect your statutory rights¹.
- The balance of the guarantee is transferable providing the installation is serviced prior to the dwelling's new owners taking up residence. Grant Engineering (UK) Limited must be informed of the new owner's details.
- The Company will endeavour to provide prompt service in the unlikely event of a problem occurring, but cannot be held responsible for any consequences of delay however caused.
- This guarantee applies to Grant Engineering (UK) Limited boilers purchased and installed on the UK mainland, Isle of Wight, Channel Islands, Isle of Man and Scottish Isles only². Provision of in-guarantee cover elsewhere in the UK is subject to agreement with the Company.
- All claims under this guarantee must be made to the Company prior to any work being undertaken. Invoices for call out/repair work by any third party will not be accepted unless previously authorised by the Company.
- Proof of purchase and date of installation, commissioning and service documents must be provided on request.
- If a replacement boiler is supplied under the guarantee (due to a manufacturing fault) the product guarantee continues

from the installation date of the original boiler and **not** from the installation date of the replacement⁴.

- The oil boiler must be connected to a mains water supply (installations utilising a private water supply are not covered by this guarantee).
- Breakdown/failure due to lime scale will not be covered by this guarantee.
- The replacement of a boiler under this guarantee does not include any consequential costs, such as the removal or replacement of worktops, kitchen units, etc.
- The boiler (excluding external modules) must not be sited in a location where it may be subjected to frost.

Hard water advice (for Combi boilers only)

If you live in a hard water area, protection against scaling must be given to the domestic hot water heat exchanger of your combination boiler.

You should fit an appropriate scale inhibitor or water softener as any breakdown caused by water scaling is not covered by the manufacturer's guarantee. Ask your installer for advice.

Foot notes

1. Your statutory rights entitle you to a one year guarantee period only.
2. The UK mainland consists of England, Scotland and Wales only. Please note that for the purposes of this definition, Northern Ireland and Scilly Isles are **not** considered part of the UK mainland.
3. We recommend that your oil boiler is serviced every twelve months (even when the guarantee has expired) to prolong the lifespan and ensure it is operating safely and efficiently.
4. The guarantee period will commence from the date of installation, unless the installation date is more than six months from the date of purchase, in which case the guarantee period will commence six months from the date of purchase.
5. As measured by gauss. The MagOne magnetic filter has a gauss measurement of 12,000.

Version 1.2 – February 2017

NOTES

NOTES



GRANT ENGINEERING (UK) LIMITED

Hopton House, Hopton Industrial Estate, Devizes, Wiltshire, SN10 2EU
Tel: +44 (0)1380 736920 Fax: +44 (0)1380 736991
Email: info@grantuk.com www.grantuk.com