

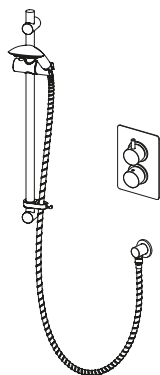
# AQUALISA

## AQ DCV

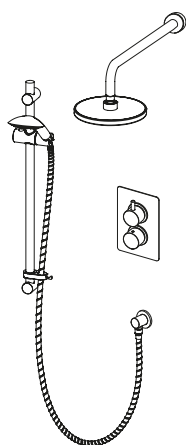
---

### INSTALLATION AND USER GUIDE

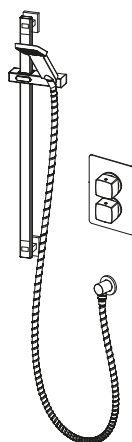
---



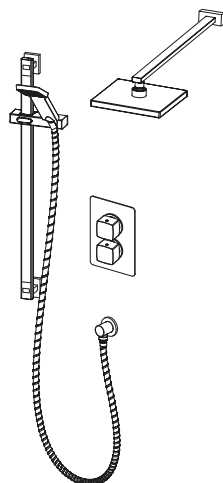
AQRNDCV1



AQRNDCV2



AQSQDCV1



AQSQDCV2

# CONTENTS

---

Warranty	3
Before You Start	3
Water Supply Requirements	3
Components - AQRNDCV1	4
Components - AQRNDCV2	6
Components - AQSQDCV1	8
Components - AQSQDCV2	10
Installation - Valve and Trim Pack	12-16
Installation - Kit (Outlets)	17-24
Cartridge Temperature Adjustment	25
General Maintenance	26

## GENERAL CLEANING

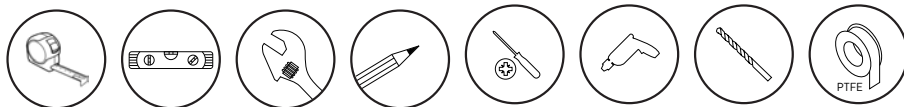
---

Whilst modern plating techniques are used in the manufacture of these fittings, the plating will wear if not cleaned properly. The safest way to clean your product is to wipe with a soft damp cloth. Stains can be removed using washing up liquid.

**DO NOT USE ABRASIVE CLEANERS.**

## TOOLS REQUIRED (Tools not supplied)

---



We have taken great care to ensure that this product reaches you in perfect condition. However should any parts be damaged or missing please contact your point of purchase. This does not affect your statutory rights. In addition if you require replacement parts please contact the Aqualisa customer helpline on 01959 560010 for assistance.

# WARRANTY

---

Aqualisa products are supplied complete with a 1 year guarantee that can be upgraded by registering this product with Aqualisa.

See [www.aqualisa.co.uk/warranty](http://www.aqualisa.co.uk/warranty) for details.

## BEFORE YOU START

---

This shower should be installed by a competent person in compliance with current Water Supply Regulations. For further details contact your Local Water Authority.

- a. Identify all components and check pack contents.
- b. Turn off water mains supply.



Before making any pipe connections all supplies **MUST** be thoroughly flushed to remove any debris.

## WATER SUPPLY REQUIREMENTS

---

Hot Water Maximum: 65°C  
Recommended 60-65°C

Cold Water Minimum: 5°C  
Recommended 10-15°C

Operating Pressure Range: Min. 0.2 bar, Max. 5.0 bar

DCV valves are suitable for gravity stored, gravity boosted, balanced high pressure and combination boiler systems.

**N.B.** The combination boiler **MUST** have a minimum rating of 24kW (80,000 Btu) and be of the type fitted with a fully modulating gas valve.

Boiler performance may affect outlet temperature.

Operating pressures on hot and cold supplies should be kept as even as possible in order to ensure the maximum efficiency of the mixer.

When water pressure is higher than 5 bar a pressure reducing valve (not supplied) must be fitted before the mixer. A setting of 3 bar is recommended.

# COMPONENTS - AQRNDCV1

SHOWER KIT - AQRNDCV1	NO.	DESCRIPTION	QTY
	1	Wall Plug	2
	2	Upper Rail Bracket	1
	3	Wall Screw - Short	1
	4	Rail End Cap	2
	5	Handset Holder	1
	6	Hose Restraint	1
	7	Handset	1
	8	Riser Rail	1
	9	Shower Hose - 1.5m	1
	10	Lower Rail Bracket	1
	11	Wall Screw - Long	1
	12	Backnut	1
	13	Backnut Washer	1
	14	Wall Cover Plate	1
	15	Wall Outlet	1

TRIM KIT - AQRNDCV1	NO.	DESCRIPTION	QTY
	1	Lever	1
	2	Grub Screw	2
	3	2.5mm Allen Key	1
	4	Control Knob	1
	5	Cap	1
	6	Temperature Knob	1
	7	Control Shroud Ring	1
	8	Temperature Shroud Ring	1
	9	Wall Plate	1

VALVE BODY - AQRNDCV1	NO.	DESCRIPTION	QTY
	1	Wall Plugs	2
	2	Wall Screws	2
	3	Valve Body	1
	4	Copper Olives	3
	5	Compression Nuts	3
	6	10mm Filter Allen Key	1

# COMPONENTS - AQRNDCV2

SHOWER KIT - AQRNDCV2	NO.	DESCRIPTION	QTY
	1	Wall Plug	2
	2	Upper Rail Bracket	1
	3	Wall Screw - Short	1
	4	Rail End Cap	2
	5	Handset Holder	1
	6	Hose Restraint	1
	7	Handset	1
	8	Riser Rail	1
	9	Shower Hose - 1.5m	1
	10	Lower Rail Bracket	1
	11	Wall Screw - Long	1
	12	Backnut	1
	13	Backnut Washer	1
	14	Wall Cover Plate	1
	15	Wall Outlet	1

TRIM KIT - AQRNDCV2	NO.	DESCRIPTION	QTY
	1	Lever	1
	2	Grub Screw	2
	3	2.5mm Allen Key	1
	4	Control Knob	1
	5	Cap	1
	6	Temperature Knob	1
	7	Control Shroud Ring	1
	8	Temperature Shroud Ring	1
	9	Wall Plate	1

VALVE BODY - AQRNDCV2	NO.	DESCRIPTION	QTY
	1	Wall Plugs	2
	2	Wall Screws	2
	3	Valve Body	1
	4	Copper Olives	4
	5	Compression Nuts	4
	6	10mm Filter Allen Key	1

FIXED HEAD & ARM - AQRNDCV2	NO.	DESCRIPTION	QTY
	1	Backnut	1
	2	Backnut Washer	1
	3	Fixing Nut	1
	4	Cover Plate	1
	5	Shower Arm	1
	6	Filter Washer	1
	7	Ball Joint	1
	8	Shower Head	1

# COMPONENTS - AQSQDCV1

SHOWER KIT - AQSQDCV1	NO.	DESCRIPTION	QTY
	1	Wall Plug	2
	2	Rail Bracket Wall Plate	2
	3	Riser Rail Bracket	2
	4	Wall Screw	2
	5	Rail End Cap	2
	6	Handset Holder	1
	7	Handset	1
	8	Riser Rail	1
	9	Shower Hose - 1.5m	1
	10	Backnut	1
	11	Backnut Washer	1
	12	Wall Cover Plate	1
	13	Wall Outlet	1



TRIM KIT - AQSQDCV1	NO.	DESCRIPTION	QTY
	1	2.5mm Allen Key	1
	2	Cap	2
	3	Grub Screw	2
	4	Control Knob	1
	5	Temperature Knob	1
	6	Control Shroud Ring	1
	7	Temperature Shroud Ring	1
	8	Wall Plate	1

VALVE BODY - AQSQDCV1	NO.	DESCRIPTION	QTY
	1	Wall Plugs	2
	2	Wall Screws	2
	3	Valve Body	1
	4	Copper Olives	3
	5	Compression Nuts	3
	6	10mm Filter Allen Key	1

# COMPONENTS - AQSQDCV2

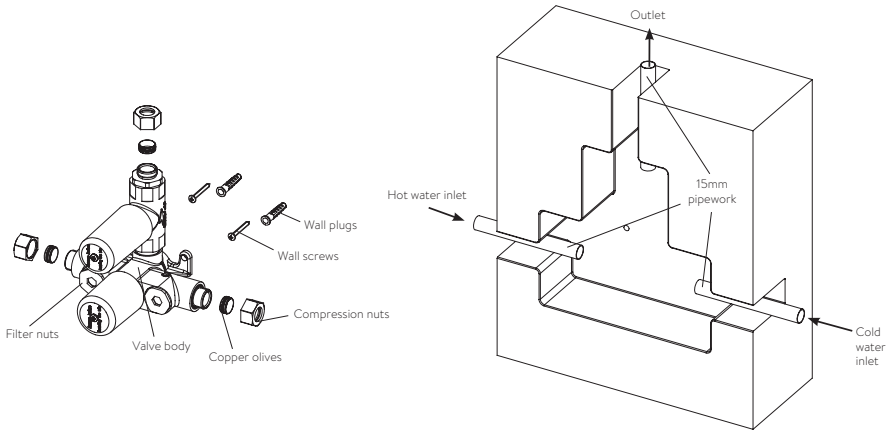
SHOWER KIT - AQSQDCV2	NO.	DESCRIPTION	QTY
	1	Wall Plug	2
	2	Rail Bracket Wall Plate	2
	3	Riser Rail Bracket	2
	4	Wall Screw	2
	5	Rail End Cap	2
	6	Handset Holder	1
	7	Handset	1
	8	Riser Rail	1
	9	Shower Hose - 1.5m	1
	10	Backnut	1
	11	Backnut Washer	1
	12	Wall Cover Plate	1
	13	Wall Outlet	1

TRIM KIT - AQSQDCV2		NO.	DESCRIPTION	QTY
		1	2.5mm Allen Key	1
		2	Cap	2
		3	Grub Screw	2
		4	Control Knob	1
		5	Temperature Knob	1
		6	Control Shroud Ring	1
		7	Temperature Shroud Ring	1
		8	Wall Plate	1

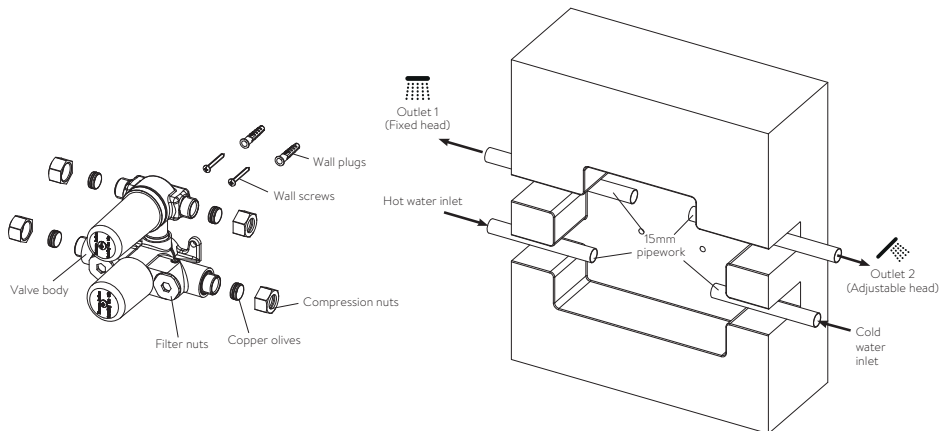
VALVE BODY - AQSQDCV2		NO.	DESCRIPTION	QTY
		1	Wall Plugs	2
		2	Wall Screws	2
		3	Valve Body	1
		4	Copper Olives	4
		5	Compression Nuts	4
		6	10mm Filter Allen Key	1

FIXED HEAD & ARM - AQSQDCV2		NO.	DESCRIPTION	QTY
		1	Backnut	1
		2	Backnut Washer	1
		3	Cover Plate	1
		4	Shower Arm	1
		5	Filter Washer	1
		6	Ball Joint	1
		7	Shower Head	1

# SINGLE OUTLET INSTALLATION



# DUAL OUTLET INSTALLATION



## IMPORTANT:

Ensure outlet feeds are configured as per the diagram shown.

Fixed head - Left outlet

Adjustable head - Right outlet

1

Turn off the water supply prior to installation. Prepare the recess in the wall for the valve body and pipework.

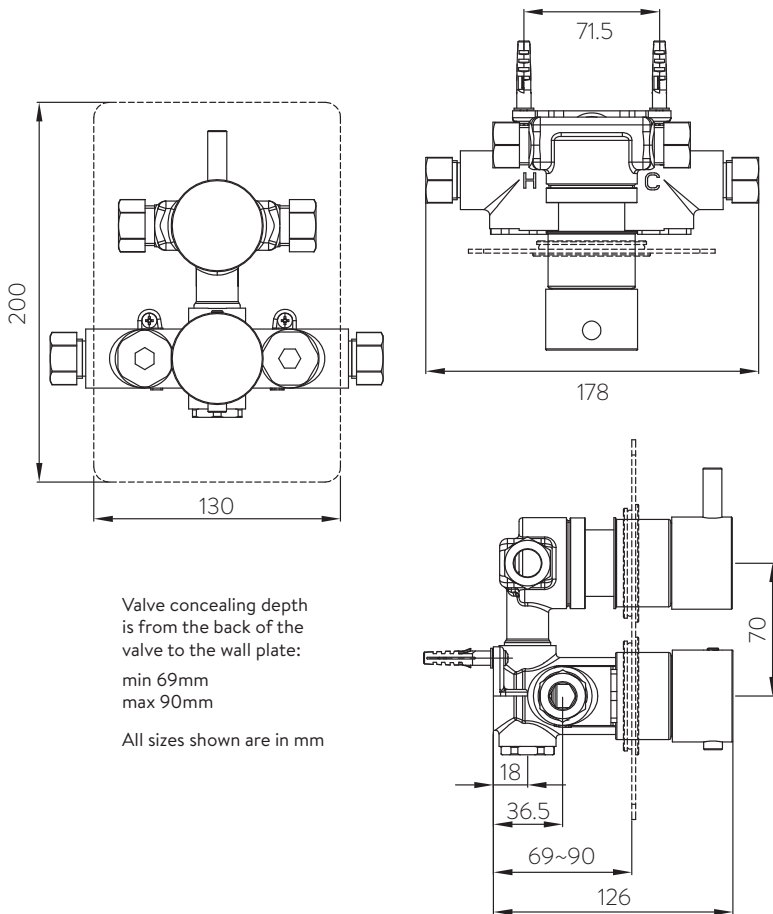


**IMPORTANT:**

Minimum wall cavity depth: 69mm

Min-Max Concealing Plate adjustment: 69-90mm

See below dimension drawing.



Valve concealing depth is from the back of the valve to the wall plate:

min 69mm  
max 90mm

All sizes shown are in mm

**N.B.** Dual outlet valve shown for illustrative purposes.

2

---

Arrange the pipework so that the hot water is connected from the left to the inlet marked 'H' and the cold from the right to the inlet marked 'C', on the valve body.

**For single outlet:** The outlet pipe connects to the top of the valve body.

**For dual outlet:** The fixed head outlet pipe connects to the left outlet (Outlet 1) on the valve body.

The adjustable head outlet pipe connects to the right outlet (Outlet 2) on the valve body.

**For all models:** Ensure sufficient pipe length; the pipe ends insert into the valve inlets and outlet(s) a minimum of 10mm.

3

---

Connect the valve loosely to the pipework, do not tighten.

4

---

Hold the valve in position inside the cavity and mark the screw holes. If required, disconnect the valve, drill the holes and insert the wall plugs.

5

---

Connect the valve body to the pipework using the copper olives and compression nuts provided, but do not tighten.

6

---

Secure the valve body with the wall screws.

7

---

Tighten the compression nuts to create a watertight seal.

8

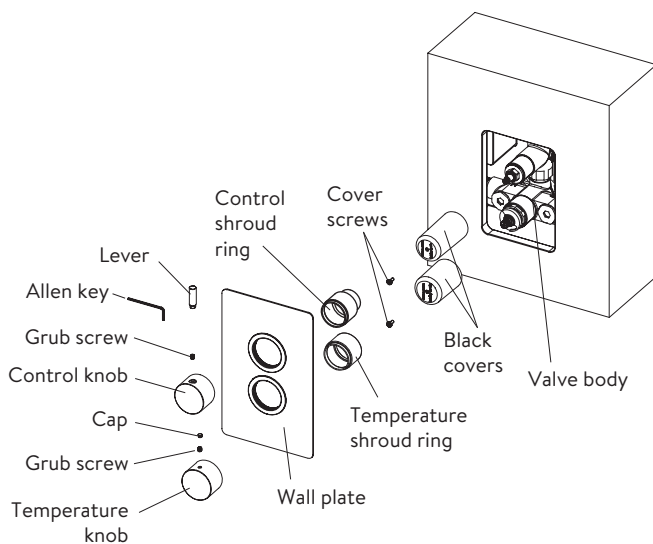
---

Reinstate the water supply and check for leaks.

9

Ensuring the filter nuts are left accessible, plasterboard and tile the cavity wall ensuring there is an adequate gap between the tiles and the valve body. **An access hole of 120mm high x 110mm wide is required to allow for any future maintenance.**

## TRIM PACK INSTALLATION



1

Isolate the water supplies to the shower. Remove the cover screws and black covers from the valve.

2

Screw both of the shroud rings into place (do not overtighten).

3

Apply a bead of silicone sealant to the rear of the wall plate and carefully push the wall plate into position flush with the finished wall surface.

4

Prior to fitting the bottom temperature knob, remove the black temperature stop and ensure the black marked line on the brass spindle aligns with the black mark behind the spindle.

5

To enable the temperature override safety button to engage at 38°C, refit the black temperature override stop in the correct orientation, as shown.



6

Prior to fitting the temperature knob, loosen the grub screw located in the temperature knob, then depress the temperature override safety button and fit the knob into place with the button at the 6 o'clock position. Tighten the grub screw and fit the cap.

7

**For single outlet:** To fit the top control knob, ensure the brass on/off spindle is in the off position (turned fully clockwise). Unscrew and remove the lever from the control knob and loosen the grub screw located in the control knob. Fit the control knob to the on/off spindle with the grub screw and lever hole positioned to 'OFF' (12 o'clock). Tighten the grub screw and refit the lever.

**For dual outlet:** To fit the top control knob, unscrew and remove the lever from the control knob and loosen the grub screw located in the control knob. Loosely fit the control knob onto the spindle and turn fully clockwise until a stop is reached, there will be an audible 'click'. Remove the knob, and refit ensuring the grub screw and lever hole



is positioned at 3 o'clock. Tighten the grub screw and refit the lever. Turn the control knob to the 'OFF' position (12 o'clock).

8

Reinstate water supplies and test.

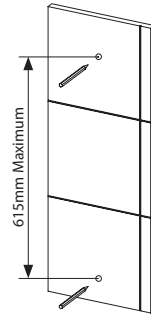
## FITTING THE SHOWER KIT - ROUND

1

The top bracket is a floating bracket and can be positioned to suit existing screw holes (if required).

Prepare two fixing points, using the fixings provided (if suitable).

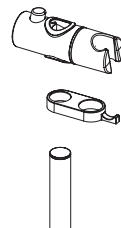
**N.B.** The maximum distance between fixing points is **615mm**.



2

Fit the hose restraint to the rail followed by the handset holder.

**N.B.** The handset holder button must be depressed whilst fitting. The button must be to the left of the rail, and the holder to the right, as shown.



3

Secure the upper rail bracket into position on the finished wall surface using the wall screw provided (if suitable).

4

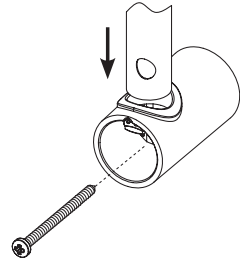
Attach the lower rail bracket onto the bottom of the rail.

5

Slide the rail assembly up through the upper rail bracket.

6

Align the small hole in the rail with the lower rail bracket. Secure the lower rail bracket to the wall, using the wall screw provided (if suitable).



7

Place the rail end caps into the brackets and push firmly into position.

8

Ensuring the hose washer is in position; attach the non-conical end of the hose to the wall outlet. Run the shower for a few seconds to clear any debris that may be present (wall outlet installation instructions - page 23).

9

Pass the conical end of the shower hose through the hose restraint.

10

Ensuring the hose washer is in position; attach the conical end of the hose to the shower head, then place the hose in the handset holder.

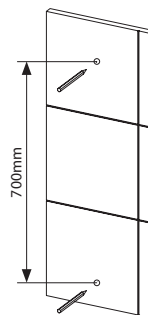
# FITTING THE SHOWER KIT - SQUARE

---

1

Prepare two fixing points at **700mm** using the fixings provided (if suitable).

**N.B.** Ensure that the hose will not be over extended when the slider is at its highest position.



2

Insert a screwdriver or similar tool inside the riser rail brackets to push out the grey cover caps.

3

Fit the rail brackets to the wall plates.

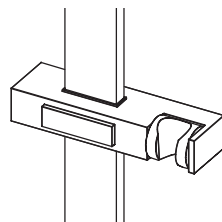
**N.B.** These are paired and have corresponding markings i.e. A to A and B to B.

4

Fit the handset holder to the rail.

**N.B.** The handset holder button must be depressed whilst fitting.

As shown - button to the front and holder to the right.



5

Slide the chrome rail brackets (including the wall plates) on to the riser rail assembly. Offer the rail and brackets up to the fixing holes and secure to the wall using the screws provided (if suitable).

6

---

Insert the rail end caps to the rail end brackets.

7

---

Ensuring the hose washer is in the correct position; attach the non-conical end of the hose to the wall outlet. Run the shower for a few seconds to clear any debris that may be present (wall outlet installation instructions - page 23).

8

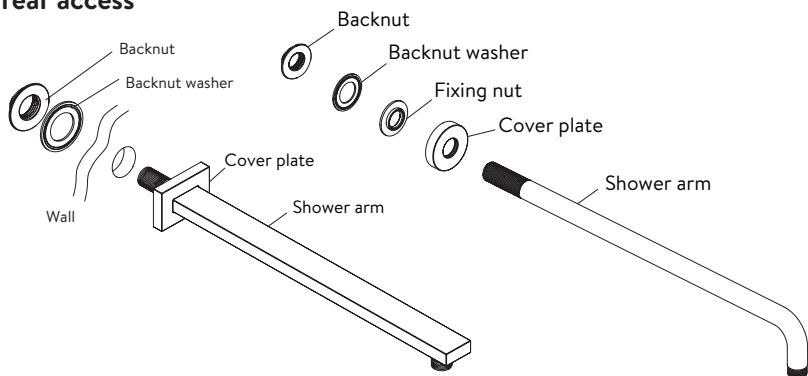
---

Ensuring the hose washer is in the correct position; attach the conical end of the hose to the shower head, then place the hose in the handset holder.

# FIXED ARMS INSTALLATION

---

## With rear access



**N.B.** For round fixed wall arms only, fit the cover plate and fixing nut (flat side of fixing nut facing the wall) to the shower arm.

1

Run pipework from the shower valve to the desired location for the fixed arm ensuring it terminates in a suitable  $\frac{1}{2}$ " female connector (not supplied). All pipework and connectors must be secured using suitable fixings. **N.B.** For round fixed wall arms only, fit the cover plate and fixing nut (flat side of fixing nut facing the wall) to the shower arm.

2

Feed the fixed arm thread through a 22-28mm hole in the wall and secure with the backnut ensuring the backnut washer is fitted between the backnut and the wall, if accessible.

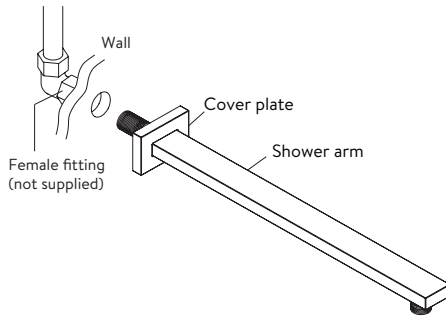
3

Connect the fixed arm to a suitable  $\frac{1}{2}$ " female connector using PTFE tape or similar, to achieve a watertight seal.

4

Temporarily cap off the fixed arm, open the shower valve and check for leaks.

## Without rear access



**N.B.** Square shower arm shown for illustrative purposes.

1

Run pipework from the shower valve to the desired location for the fixed arm ensuring it terminates in a suitable  $\frac{1}{2}$ " female connector (not supplied). All pipework and connectors must be secured using suitable fixings. **N.B.** For round fixed wall arms only, fit the cover plate and fixing nut (flat side of fixing nut facing the wall) to the shower arm.

2

The backnut and backnut washer are not required. Wind the fixed arm thread directly into the  $\frac{1}{2}$ " female connector (not supplied) using PTFE tape or similar, to achieve a watertight seal.

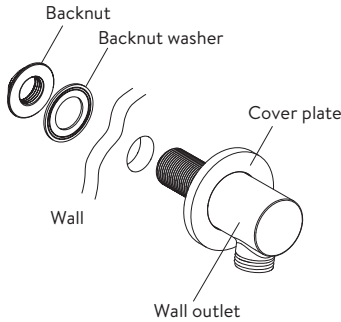
3

Temporarily cap off the fixed arm, open the shower valve and check for leaks.

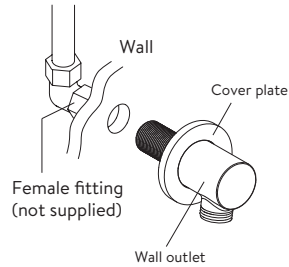
# WALL OUTLET INSTALLATION

---

## With rear access



## Without rear access - see page 24



## With rear access:

1

Run pipework from the shower valve to the desired location for the wall outlet ensuring it terminates in a suitable  $\frac{1}{2}$ " female connector (not supplied). All pipework and connectors must be secured using suitable fixings.

2

Feed the wall outlet thread through a 22-28mm hole in the wall and secure with the backnut ensuring the backnut washer is fitted between the backnut and the wall, if accessible.

3

Connect the wall outlet to a suitable  $\frac{1}{2}$ " female connector using PTFE tape or similar, to achieve a watertight seal.

4

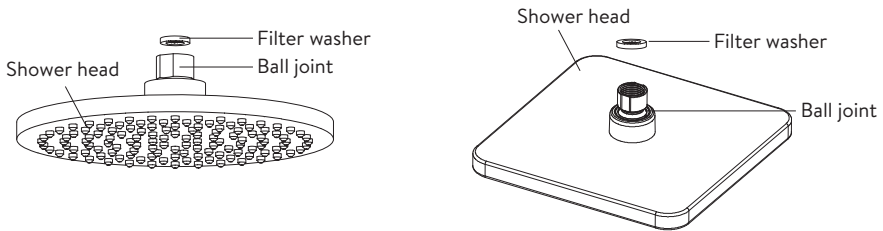
Temporarily cap off the wall outlet, open the shower valve and check for leaks.

## Without rear access:

- 1 Run pipework from the shower valve to the desired location for the wall outlet ensuring it terminates in a suitable  $\frac{1}{2}$ " female connector (not supplied). All pipework and connectors must be secured using suitable fixings.
- 2 The backnut and backnut washer are not required. Wind the wall outlet thread directly into the  $\frac{1}{2}$ " female connector (not supplied) using PTFE tape or similar, to achieve a watertight seal.
- 3 Temporarily cap off the wall outlet, open the shower valve and check for leaks.

## FIXED HEADS INSTALLATION

---



- 1 Ensuring the filter washer is in the correct position, attach the fixed head to the fixed arm by screwing the ball joint into place.
- 2 Open the shower valve and check for leaks.



# CARTRIDGE TEMPERATURE ADJUSTMENT

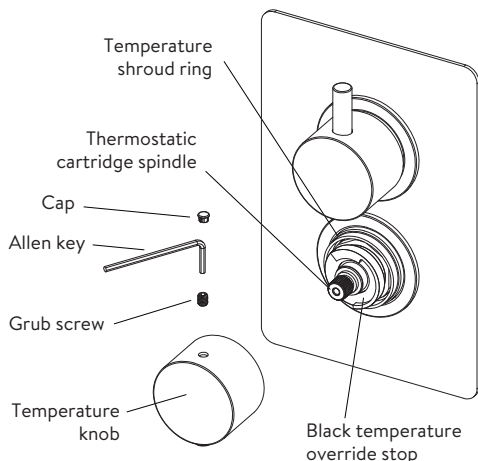
---

This product has been factory set under balanced pressures, and a hot water supply of 65°C. If site conditions vary significantly from the factory conditions, it may be necessary to reset the temperature of the cartridge to enable the product to deliver 38°C when the temperature knob is set to the 38°C position.

**N.B.** This product can reach temperatures of up to 55°C.

The cartridge can be adjusted to change the outlet water temperature to suit your requirements. This is done by using a digital thermometer and following the below instructions.

1. Turn the temperature knob to the 38°C position.
2. Carefully remove the cap, loosen the grub screw, then remove the temperature knob.
3. Run the shower at required flow.
4. Whilst measuring the temperature of the water, and without removing the black temperature override stop, turn the brass spindle until the temperature reaches 38°C.
5. Once 38°C is achieved, turn the shower off.
6. Depress the temperature override safety button and fit the temperature knob into place with the button at the 6 o'clock position. Tighten the grub screw and fit the cap.



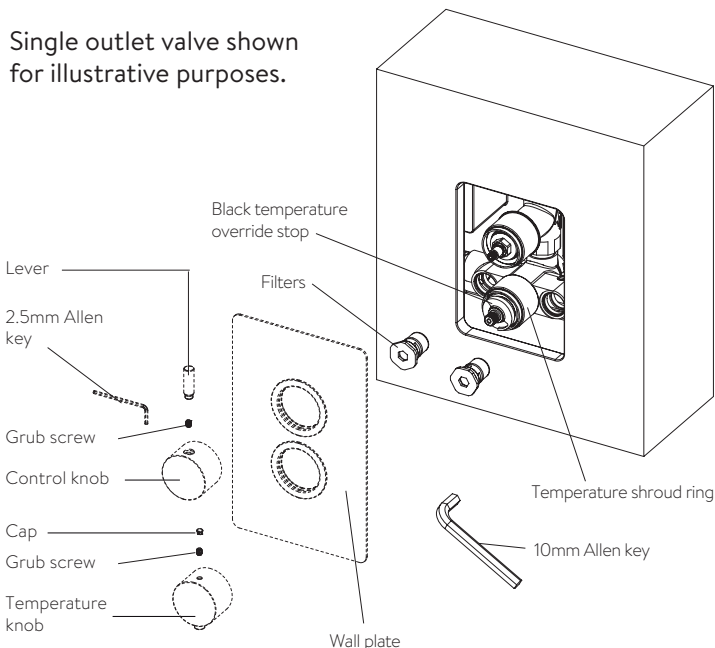
**N.B.** Adjusting the pre-set temperature will also adjust the full hot setting.

# GENERAL MAINTENANCE

---

## Cleaning the Filter (if no flow, low flow rate or temperature inconsistency)

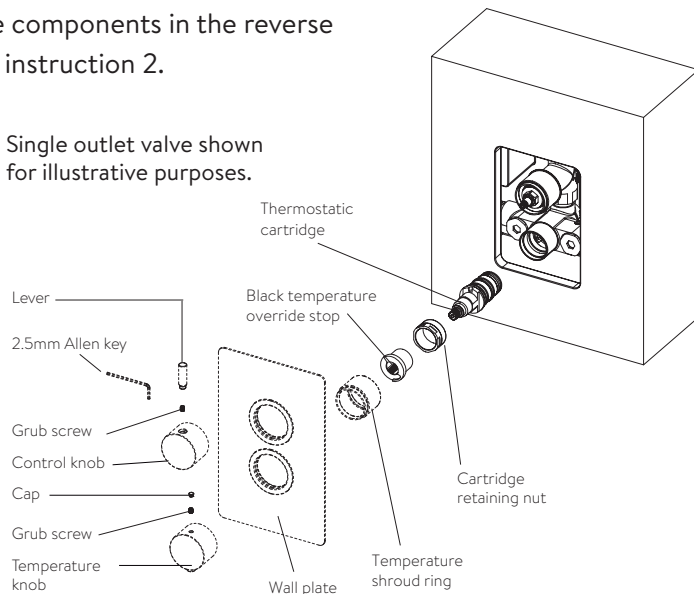
- IMPORTANT** Before carrying out any maintenance, ensure the water supplies for the shower are isolated. Once isolated, turn the shower on to release internal pressure. If unsure contact a qualified tradesman.
- Remove the caps, unscrew the lever and loosen the grub screws. Pull away the temperature and flow handles, then remove the wall plate. Without removing the black temperature override stop, unscrew and remove the temperature shroud ring.
- Remove the filters using a 10mm Allen key, clean the filters by rinsing thoroughly under cold water to remove any build up of limescale or debris.
- Refit the filters into the body and tighten using a 10mm Allen key. Reinststate the water supply to ensure there are no leaks.
- Refit the components in the reverse order of instruction 2.



## Cleaning or replacing the thermostatic cartridge

(temperature inconsistency)

- 1. IMPORTANT** Before carrying out any maintenance, ensure the water supplies for the shower are isolated. Once isolated, turn the shower on to release internal pressure. If unsure contact a qualified tradesman.
2. Remove the caps, unscrew the lever and loosen the grub screws. Pull away the temperature and flow handles, then remove the wall plate. Unscrew and remove the temperature shroud ring.
3. Note the position of the black temperature override stop and thermostatic cartridge before removal as they must be refitted in the same position. Once noted, pull the black temperature override stop from the cartridge and remove the cartridge retaining nut using a suitable spanner. Remove and clean the cartridge by rinsing thoroughly under cold water to remove any build up of limescale or debris.
4. If necessary replace the cartridge. A replacement cartridge can be obtained by contacting customer service on 01959 560010.
5. Refit the cartridge into the valve body, tighten the cartridge retaining nut using a suitable spanner and refit the black temperature override stop. Reinststate the water supply to ensure there are no leaks.
6. Refit the components in the reverse order of instruction 2.



# GENERAL CLEANING

---

Whilst modern plating techniques are used in the manufacture of these fittings, the plating will wear if not cleaned properly. The safest way to clean your product is to wipe with a soft damp cloth. Stains can be removed using washing up liquid.

## **DO NOT USE ABRASIVE CLEANERS.**

### **Limescale**

Rub the nozzles of the shower head to break down scale build up. Should chemical descaling of the head become necessary, remove the shower head fully and immerse in a mild proprietary descaler.

**IT IS IMPERATIVE THAT DESCALING IS CARRIED OUT STRICTLY IN ACCORDANCE WITH THE MANUFACTURERS INSTRUCTIONS. SUBSTANCES THAT ARE NOT SUITABLE FOR PLASTICS AND ELECTROPLATED SURFACES MUST NOT BE USED.**

# SHOWER VALVE USER GUIDE

---

## **Flow control - Single outlet valves**

1. The lever in the 12 o'clock position indicates the valve is fully closed. When the lever is in the 9 o'clock position, the valve is fully open.
2. Turn the flow control lever anti-clockwise to turn the shower on. The more the lever is turned, the more water flow is delivered.
3. Turn the flow control lever clockwise to the closed position after use.

## **Flow control - Divert valves**

1. The lever in the 12 o'clock position indicates the valve is fully closed. When the lever is in the 9 o'clock position, the adjustable head outlet is

fully open. When the lever is in the 3 o'clock position, the fixed head is fully open.

2. Turn the flow control lever clockwise or anti-clockwise to turn the desired shower outlet on. The more the lever is turned, the more water flow is delivered.
3. Turn the flow control lever to the closed position after use.

**N.B.** Both shower heads CANNOT be used simultaneously.

### Temperature control – Single outlet and Divert valves

1. Rotate the temperature control lever to select a comfortable showering temperature, using the temperature markings as a guide.



#### **IMPORTANT:**

The temperature stop button should be pressed to allow for a warmer setting.

**N.B.** With all AQ Collection shower valves fitted to combination boiler systems, it may be necessary to adjust the flow control knob and reduce the flow to achieve a comfortable showering temperature.

### Shower head

1. To select the preferred height for the shower head, depress the handset holder button to enable the slider to be moved up or down the rail.
2. Angular adjustment is made by carefully but firmly pulling the shower head forwards, or pushing the shower head back towards the wall.

**NEVER ATTEMPT TO MAKE ANY ADJUSTMENT TO THE SHOWER HEAD BY PULLING ON THE SHOWER HOSE.**

# TROUBLE SHOOTING

Symptom	Possible Cause	Remedy
No flow or low flow rate and/ or varying temperatures.	Check shower head, hose and filters for any blockage.	Clean as necessary. Refer to General Maintenance section (page 26).
	Partially closed stop or service valve in water supply pipework to the shower valve.	Open stop or service valve.
	Instantaneous water heater cycles on and off as the flow rate or pressure is too low.	Increase water flow rate or pressure through system. Contact the boiler manufacturer.
	Head of water is below the minimum distance required.	Raise the cistern or fit a shower booster pump.
	Hot or cold water being drawn off elsewhere causing pressure changes or instantaneous boiler temperature changes.	Do not use other water outlets when using the shower.
	Make sure the maintained inlet pressures are nominally balanced and sufficient.	Refer to Water Supply Requirements (page 3).
	Airlock or partial blockage of the pipework (gravity supply only).	Flush through pipework to ensure removal of debris and any airlocks.
Only hot or cold water from the shower valve outlet.	No hot or cold water reaching the shower valve.	Check hot and cold feeds (the valve will shut down if either the hot or cold supply fails).
	Partially closed stop or service valve in water supply pipework to the shower valve.	Open stop or service valve.
	Inlet filter is partially blocked.	Clean as necessary. Refer to General Maintenance section (page 26).
Water leaking from shower head.	Inlet water supplies are reversed (hot to cold supply).	Check the connections are the correct way round. Hot on the left and cold on the right when viewed from the front. Rework pipework as necessary.
	This is normal for a short time after turning off.	Adjust angle of shower head in holder as necessary to vary draining time. Clean shower head.
Maximum water temperature too hot or cold.	Maximum water temperature set incorrectly.	Reset maximum water temperature. Refer to Cartridge Temperature Adjustment (page 25).
Control dials stiff to operate.	Debris/Scale build up.	See General Maintenance (pages 26 and 27).

Symptom	Possible Cause	Remedy
Outlet water temperature too hot/cold.	Inlet filter is partially blocked.	Clean as necessary. Refer to General Maintenance section (page 26).
	Installation conditions outside operating parameters.	Refer to Water Supply Requirements (page 3). Refer to Cleaning the Thermostatic Cartridge section (page 27). Refer to Cartridge Temperature Adjustment (page 25).
	Hot water temperature is less than 10°C above the required blend temperature.	Adjust hot water temperature or wait for water to reheat if stored system is used.
	Instantaneous water heater not igniting because water flow rate is too low.	Increase water flow rate through the system. Check inlet filters and clean as necessary. Refer to General Maintenance section (page 26). Contact the boiler manufacturer.

# AQUALISA

Aqualisa Products Limited  
The Flyers Way  
Westerham Kent TN16 1DE

Customer Helpline: 01959 560010 | Brochure Hotline: 0800 652 3669  
Website: [www.aqualisa.co.uk](http://www.aqualisa.co.uk) | Email: [enquiries@aqualisa.co.uk](mailto:enquiries@aqualisa.co.uk)  
Warranty: [www.aqualisa.co.uk/warranty](http://www.aqualisa.co.uk/warranty)

Republic of Ireland  
Sales enquiries: 01-864-3363  
Service enquiries: 01-844-3212



Please note that calls may be recorded for training and quality purposes.

The company reserves the right to alter, change or modify the product specifications without prior warning.

™ Trademark of Aqualisa Products Limited.



Part No: 705367 Issue 02 Nov 20